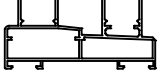
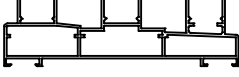


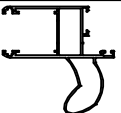
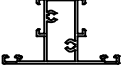





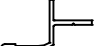
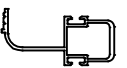


EKONOMİK HAFİF SÜRME SİSTEMİ (E H S)

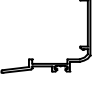
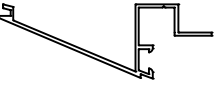
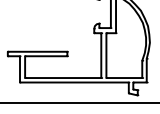



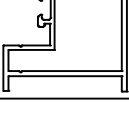




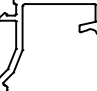

ECONOMIC SLIDING SYSTEM (E H S)

PROFİLLER / PROFILES

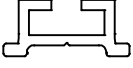

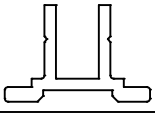
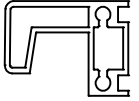



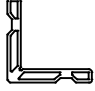
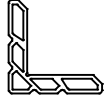
SİSTEM KESİTLERİ
SECTION DRAWINGS

PROFİL PROFILE	PROFİL NO PROFILE NUMBER	AĞIRLIK WEIGHT	I_x cm^4	I_y cm^4	TANIM DESCRIPTION
	EHS - 01	1.236 Kg/m	32.90	5.07	2 RAYLI KASA 2 RAIL FRAME
	EHS - 02	1.810 Kg/m	113.60	7.35	3 RAYLI KASA 3 RAIL FRAME
	EHS - 03	0.508 Kg/m			SABİT KASA ADAPTÖR FIX FRAME ADAPTER
	EHS - 11	1.010 Kg/m	17.96	8.35	KANAT PROFİLİ SASH PROFILE
	EHS - 12	1.357 Kg/m	33.95	17.71	KANAT PROFİLİ SASH PROFILE
	EHS - 21	0.862 Kg/m	6.69	5.76	ORTA KAYIT TRANSOM
	EHS - 22	0.429 Kg/m			ADAPTÖR ADAPTER
	EHS - 31	0.255 Kg/m			KAPAK PROFİLİ CAP PROFILE
	EHS - 32	0.228 Kg/m			RAY PROFİLİALTIĞI RAIL PROFILE
	EHS - 33	0.238 Kg/m			RAIL PROFILE
		6 METRE			ÇELİK RAY STEEL RAIL
	EHS - 34	0.203 Kg/m			SİNEKLİK RAY FLAPPER RAIL
	EHS - 51	0.547 Kg/m			ADAPTÖR ADAPTER

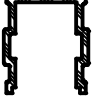
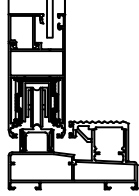


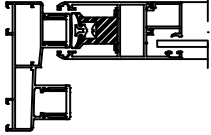

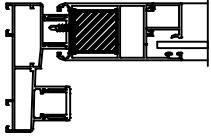

SİSTEM KESİTLERİ
SECTION DRAWINGS

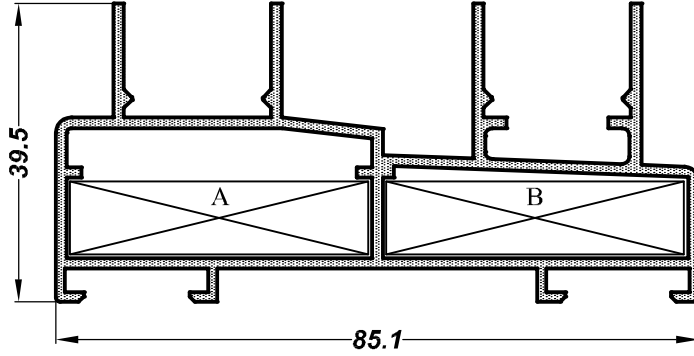
PROFİL PROFILE	PROFİL NO PROFILE NUMBER	AĞIRLIK WEIGHT	I_x cm^4	I_y cm^4	TANIM DESCRIPTION
	EHS - 52	0.380 Kg/m			ADAPTÖR ADAPTER
	EHS - 60	0.638 Kg/m			ADAPTÖR ADAPTER
	EHS - 61	0.475 Kg/m			ADAPTÖR ADAPTER
	EHS - 62	0.220 Kg/m			ADAPTÖR ADAPTER
	EHS - 63	0.555 Kg/m			ADAPTÖR ADAPTER
	EHS - 64	0.141 Kg/m			ADAPTÖR ADAPTER
	EHS - 65	0.539 Kg/m			ADAPTÖR ADAPTER
	EHS - 66	0.323 Kg/m			KLIPS KOL KARŞILIĞI CLIPS HANDLE COUNTERPART
	EHS - 43	0.268 Kg/m			CAM ÇİTASI (19.1 mm) GLAZING BEAD
	EHS - 44	0.280 Kg/m			CAM ÇİTASI (21.1 mm) GLAZING BEAD
	EHS - 45	0.292 Kg/m			CAM ÇİTASI (23.1 mm) GLAZING BEAD
	EHS - 46	0.206 Kg/m			CAM ÇİTASI (7.6 mm) GLAZING BEAD
	EHS - 70	0.314 Kg/m			İSPANYOLET KIZAĞI SLIDING ROD

SİSTEM KESİTLERİ
SECTION DRAWINGS

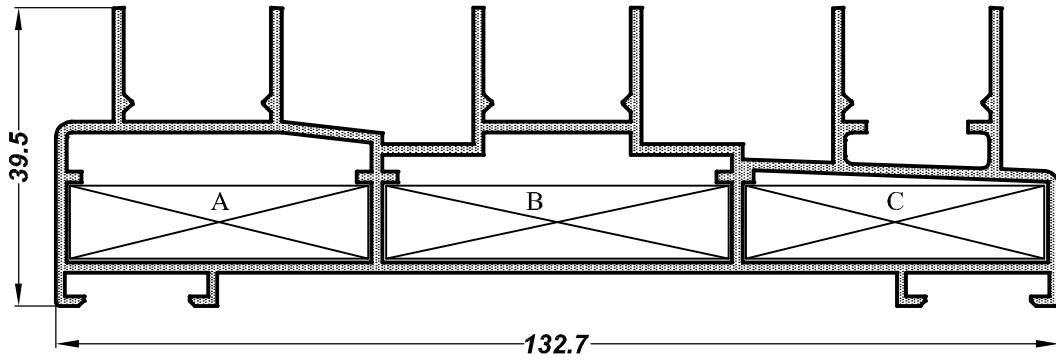
PROFİL PROFILE	PROFİL NO PROFILE NUMBER	AĞIRLIK WEIGHT	I_x cm^4	I_y cm^4	TANIM DESCRIPTION
	EHS - 71	0.295 Kg/m			İSPANYOLET KIZAĞI SLIDING ROD
	EHS - 72	0.125 Kg/m			KIZAK ADAPTÖRÜ SLIDING ADAPTER
	EHS - 73	0.306 Kg/m			İSPANYOLET KIZAĞI SLIDING ROD
	EHS - 74	0.590 Kg/m			İSPANYOLET KİLİT ADAPTER
	EHS - 80	0.344 Kg/m			BAĞLANTI TAKOZU MOUNTING CONNECTION
	MK 50 K	0.065 Kg/m			KAPAK PROFİLİ CAP PROFILE
	4304-13	0.285 Kg/m			SİNEKLİK KANAT FLAPPER SASH
	6255-10	1,843 Kg/m			GÖNYE CORNER CLEAT
	5375-15,3	2,903 Kg/m			GÖNYE CORNER CLEAT

SİSTEM KESİTLERİ
SECTION DRAWINGS

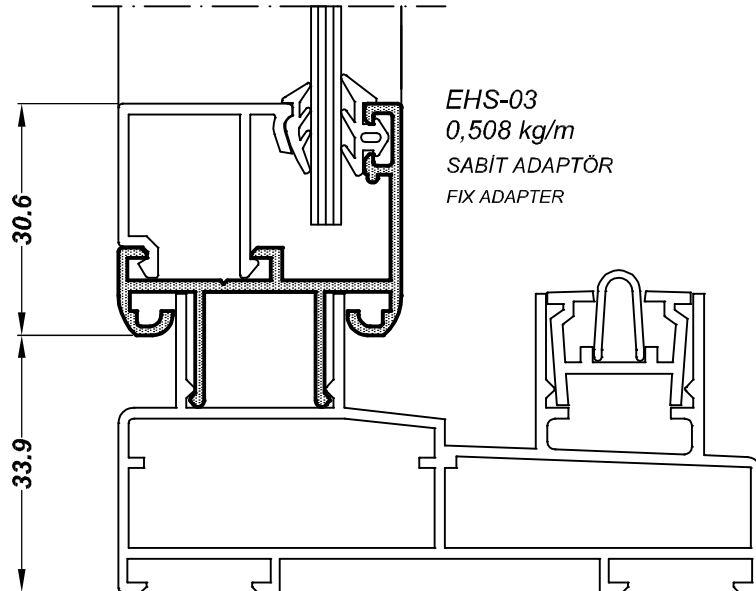
PROFİL PROFILE	PROFİL NO PROFILE NUMBER	BİRİM UNIT			TANIM DESCRIPTION
	PVC-22	Metre			
	PVC-26	Adet			KÖŞE ÇAVUŞ CORNER CONNECTION
	PVC-28	Adet			 STOPER
	PVC-35	Adet			 SABİT KANAT SEVİYE BELİRLEME TAKOZU
	PVC-44	Adet			KENET PROFİLİ KERTME PLASTİĞİ



EHS-01
1,236 kg/m



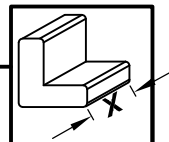
EHS-02
1,810 kg/m



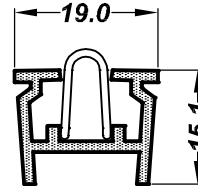
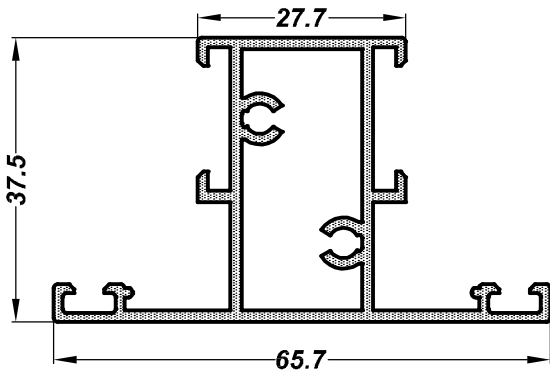
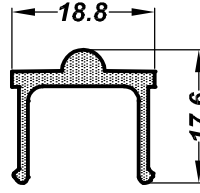
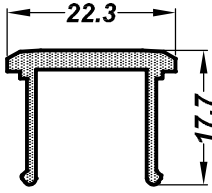
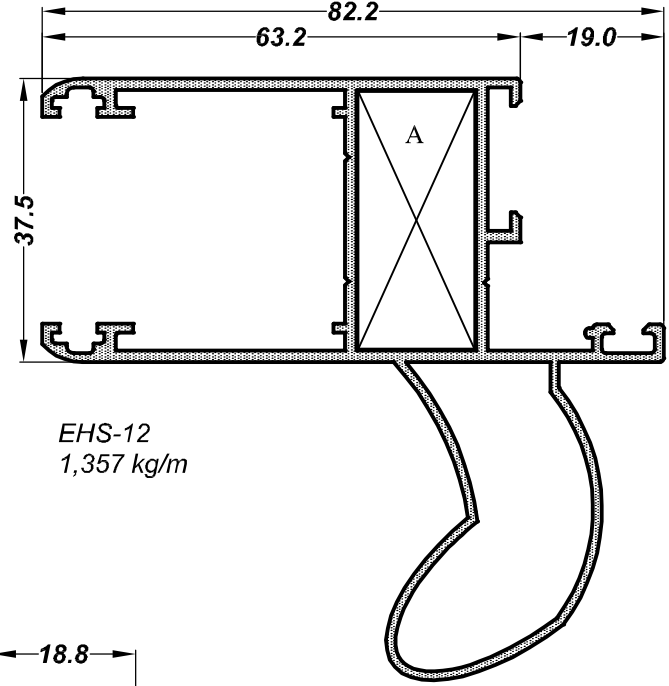
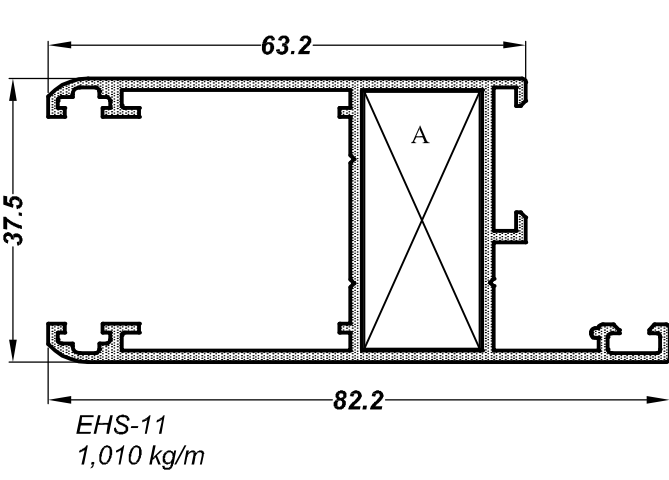
EHS-03
0,508 kg/m
SABİT ADAPTÖR
FIX ADAPTER

KÖŞE TAKOZ KESİM ÖLÇÜLERİ /

CUTTING DIMENSIONS OF CORNER CLEAT



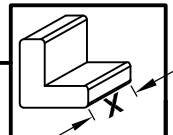
PROFİL NO (PROFILE NUMBER)	TAKOZ NO (CLEAT NUMBER)	KESİM ÖLÇÜSÜ (CUTTING DIMENSION) (X)					
EHS-01	T 6255-10	A	39,8	B	39,8		
EHS-02	T 6255-10	A	39,8	B	45,6	C	39,8

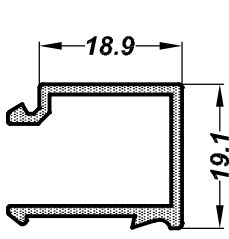


KÖŞE TAKOZ KESİM ÖLÇÜLERİ /

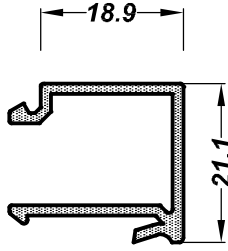
CUTTING DIMENSIONS OF CORNER CLEAT

PROFİL NO (PROFILE NUMBER)	TAKOZ NO (CLEAT NUMBER)	KESİM ÖLÇÜSÜ (CUTTING DIMENSION)	(X)				
EHS-11	T 5375-15,3	A	33,9				
EHS-12	T 5375-15,3	A	33,9				

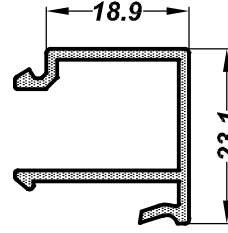




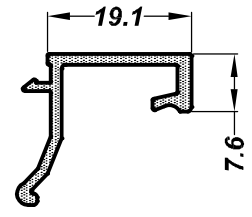
EHS-43
0,268 kg/m



EHS-44
0,280 kg/m

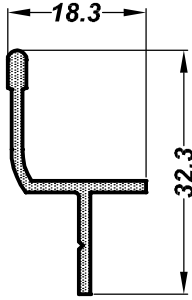


EHS-45
0,292 kg/m

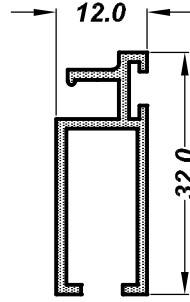


EHS-46
0,206 kg/m

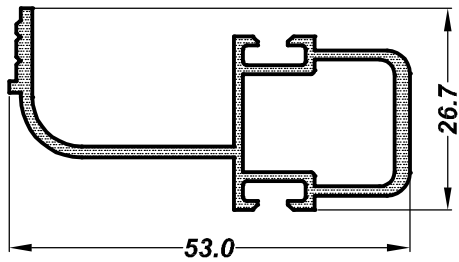
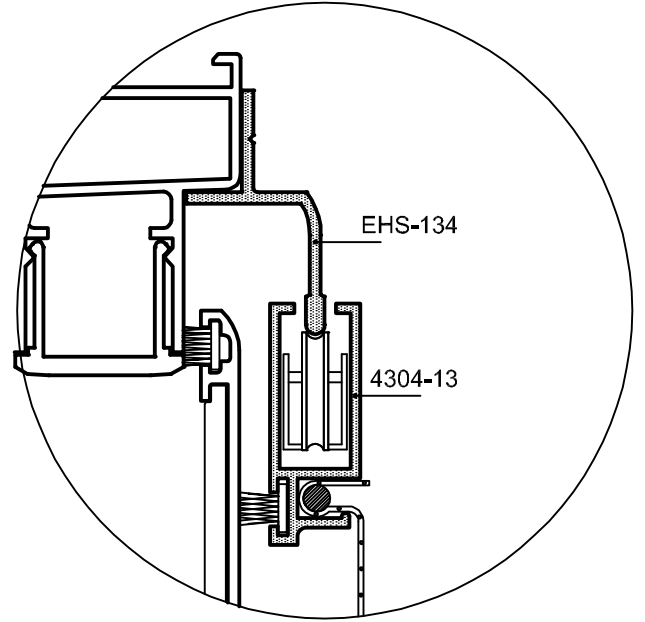
SİNEKLİK PROFİLLERİ
FLAPPER PROFILE



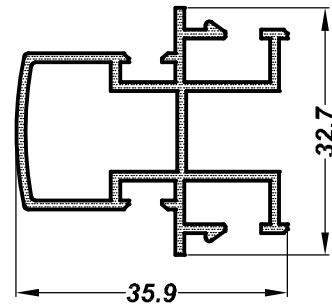
EHS-34
0,203 kg/m



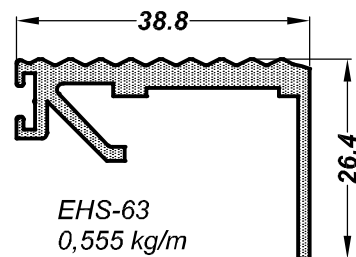
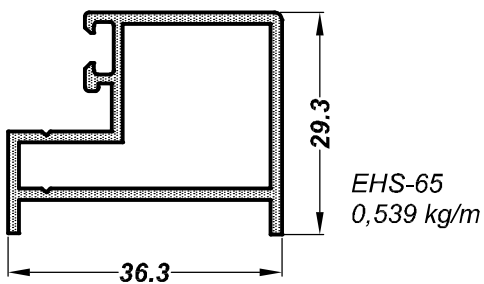
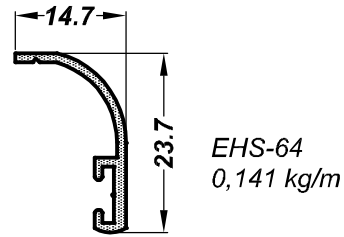
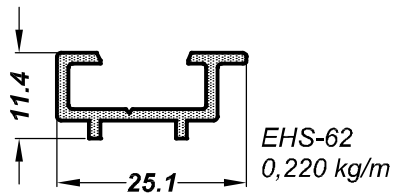
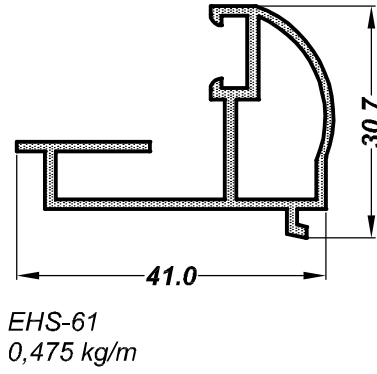
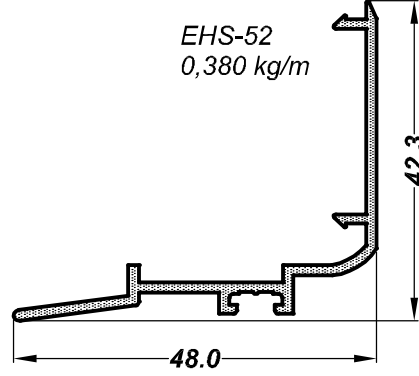
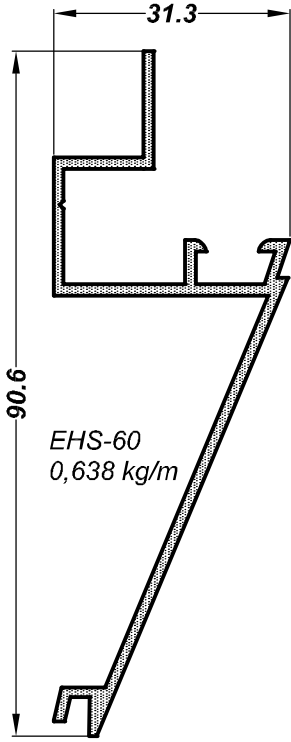
4304-13
0,285 kg/m

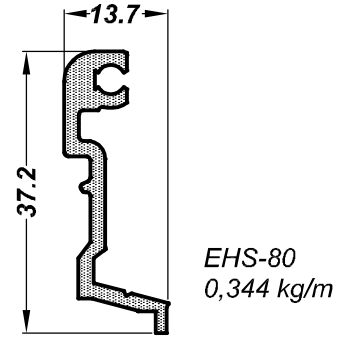
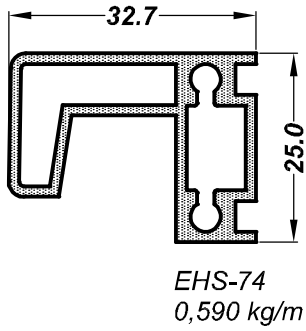
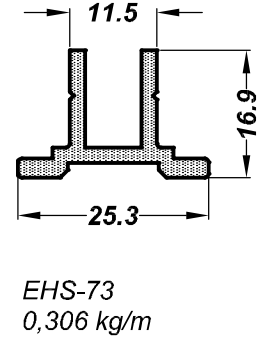
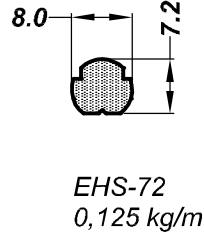
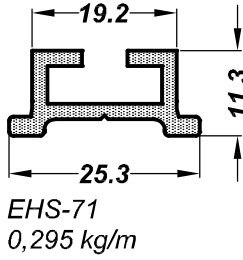
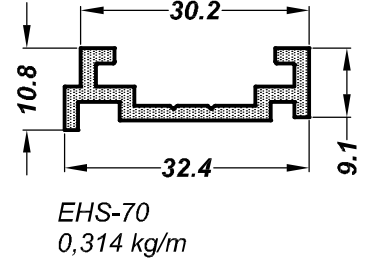
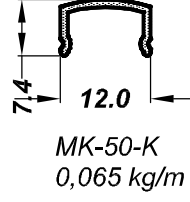
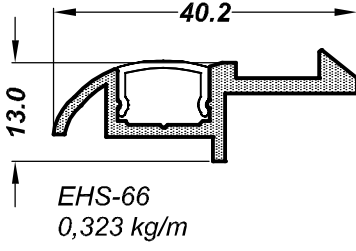


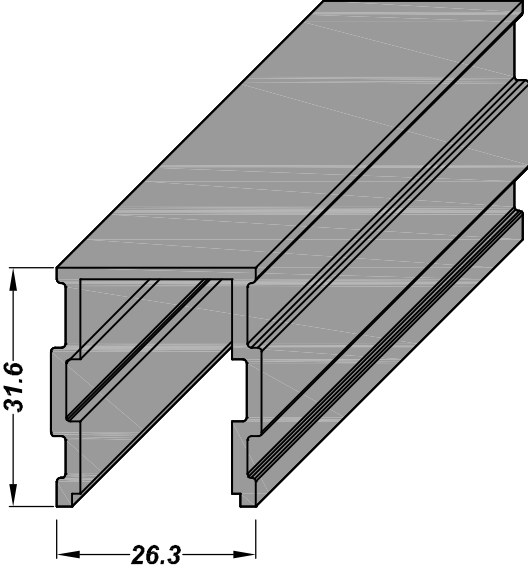
EHS-51
0,547 kg/m



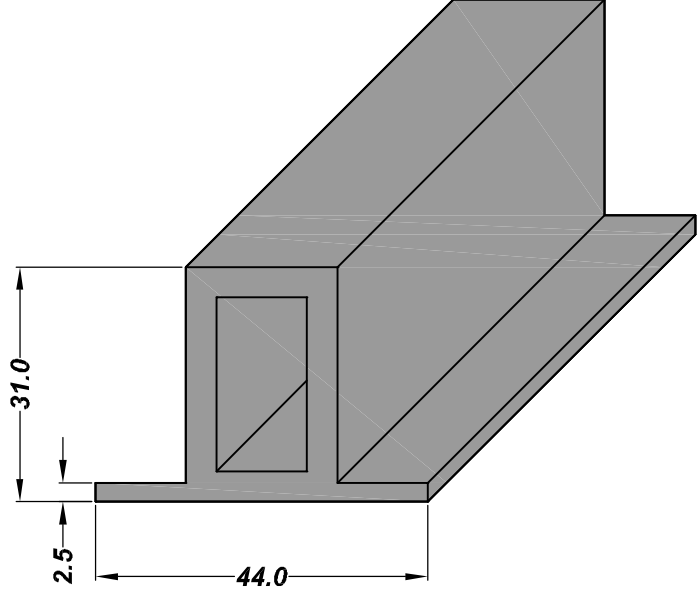
EHS-22
0,429 kg/m



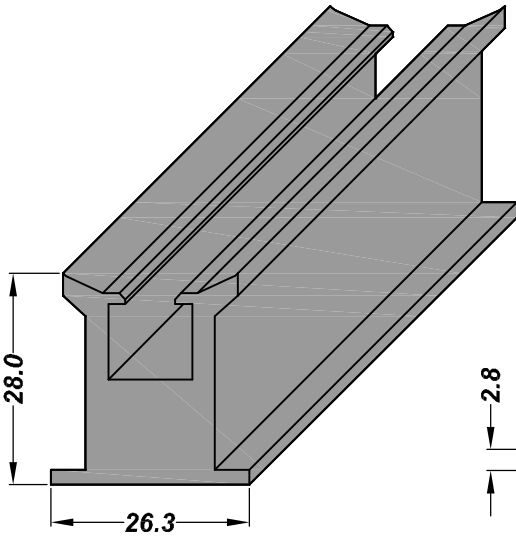




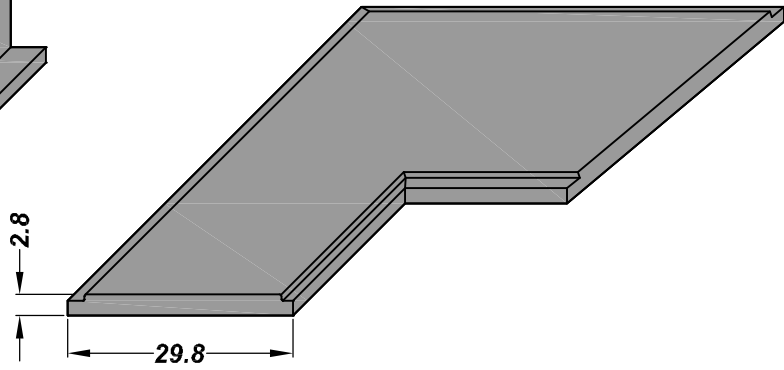
PVC-22 (Metre)
SÜRME RAY
İZALATÖR



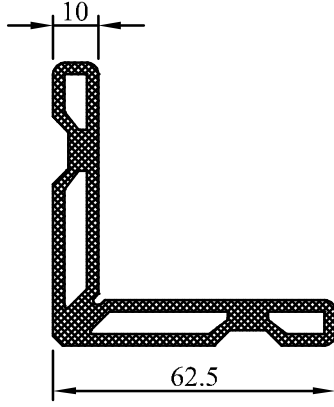
PVC-35 (Adet)
SABİT KANAT
BESLEME TAKOZU



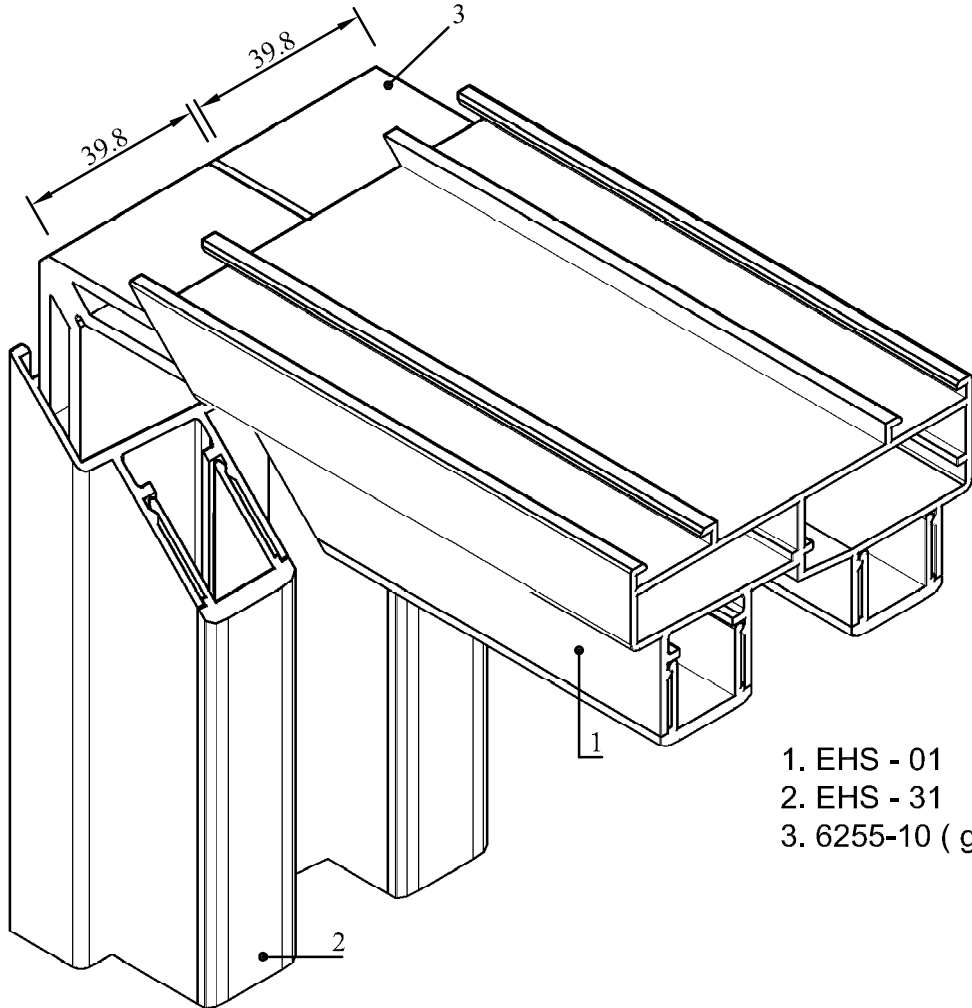
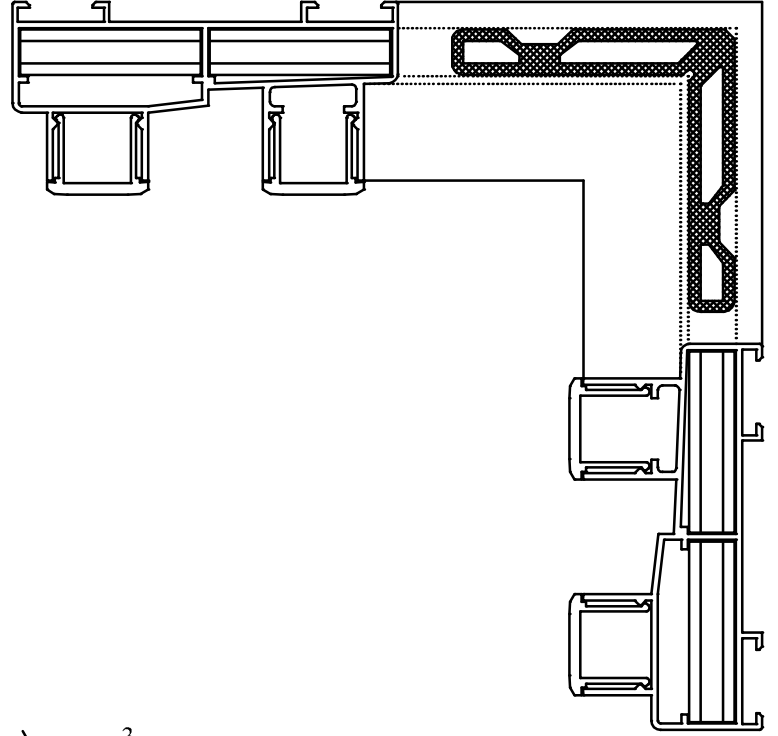
PVC-28 (Adet)
STOPPER
PLASTİĞİ



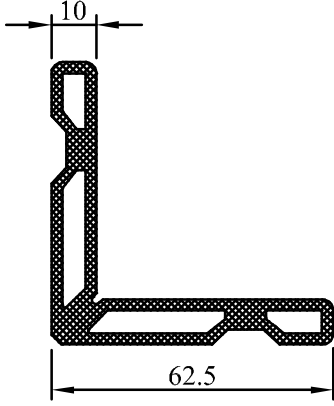
PVC-26 (Adet)
KÖŞE ÇAVUŞ
PLASTİĞİ



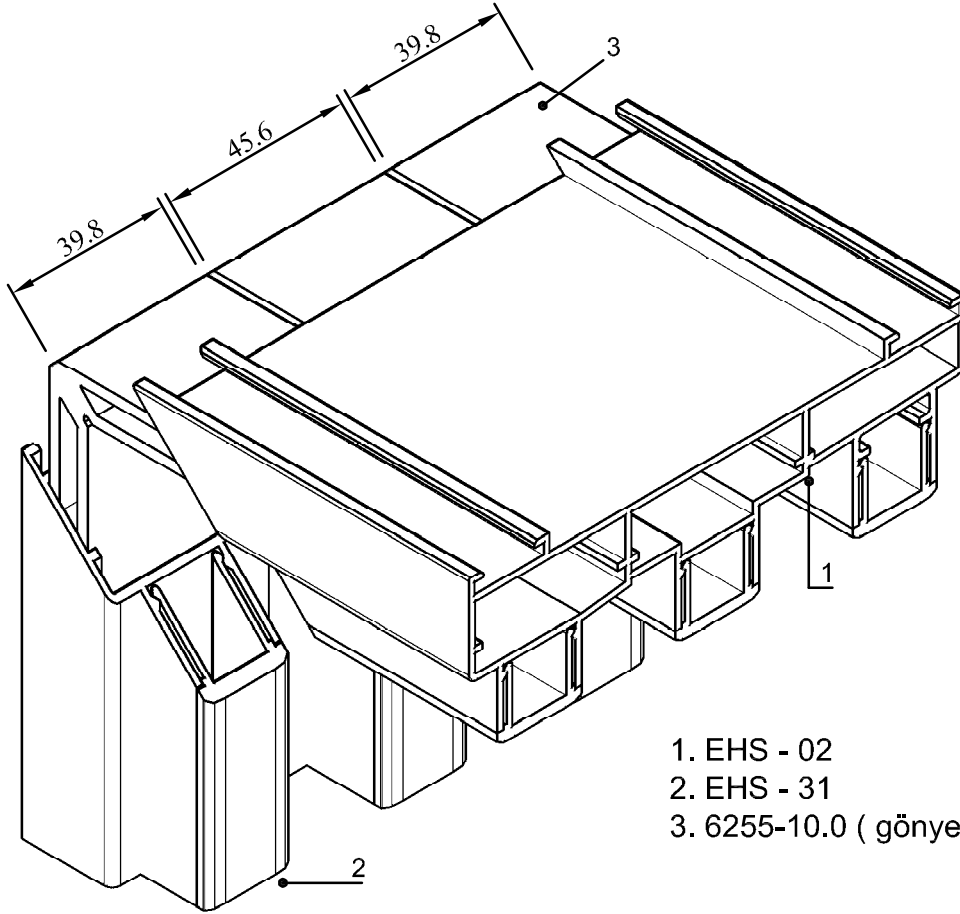
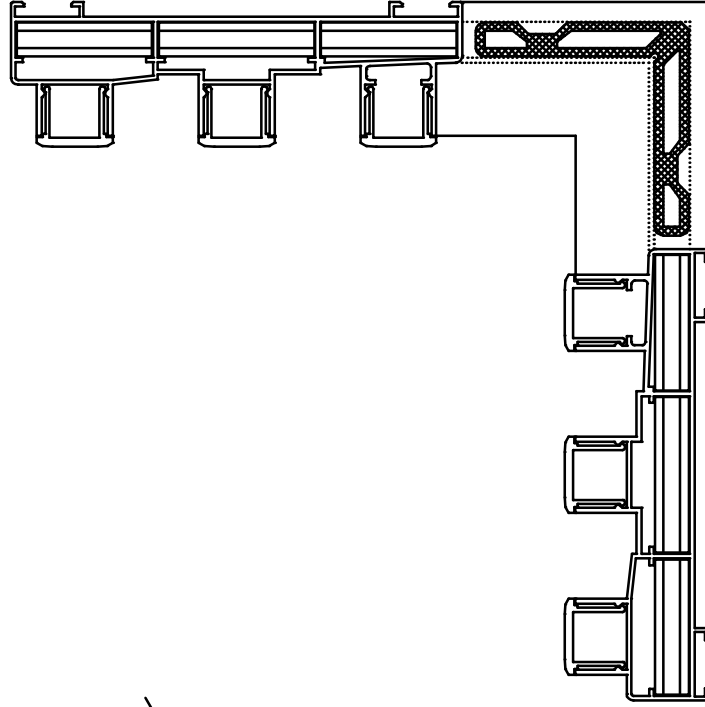
ÖLÇEK : 1/2
6255-10.0
1.843 Kg/m



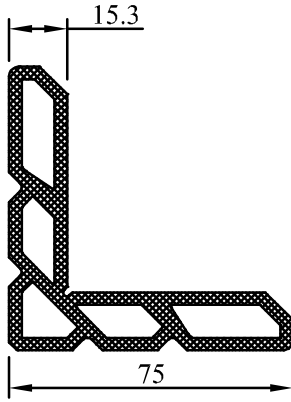
1. EHS - 01
2. EHS - 31
3. 6255-10 (gönye) / Cleat



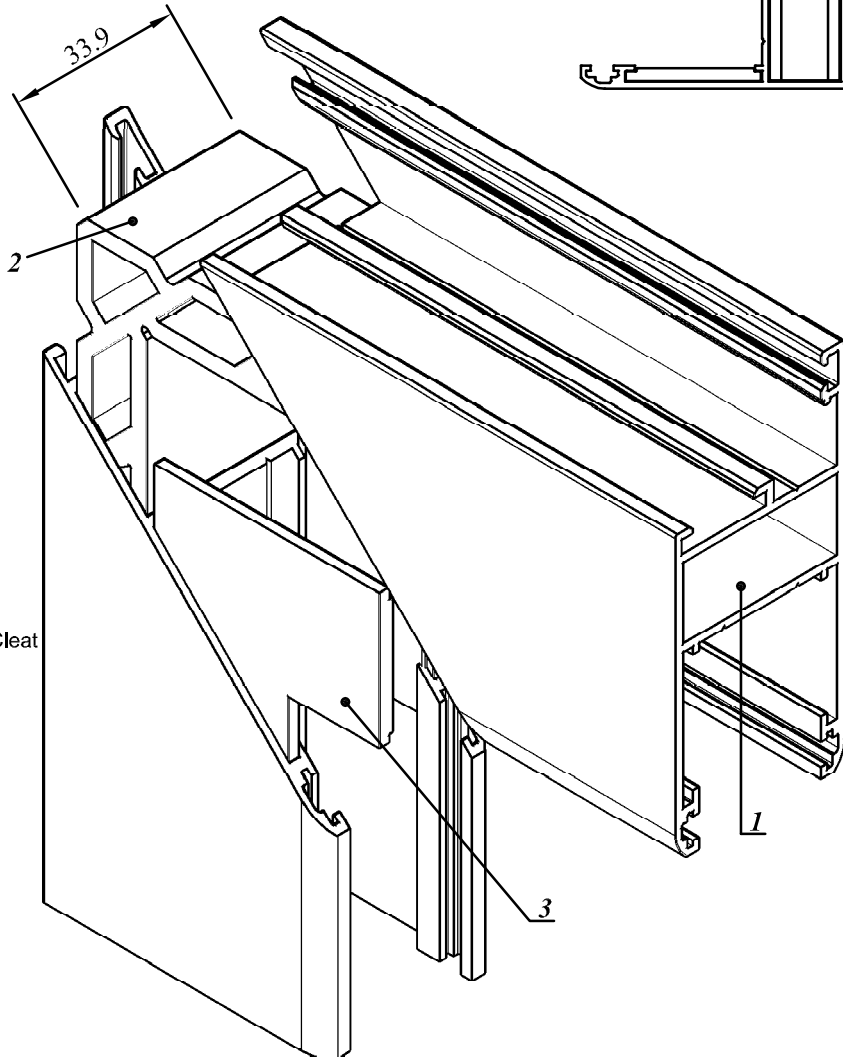
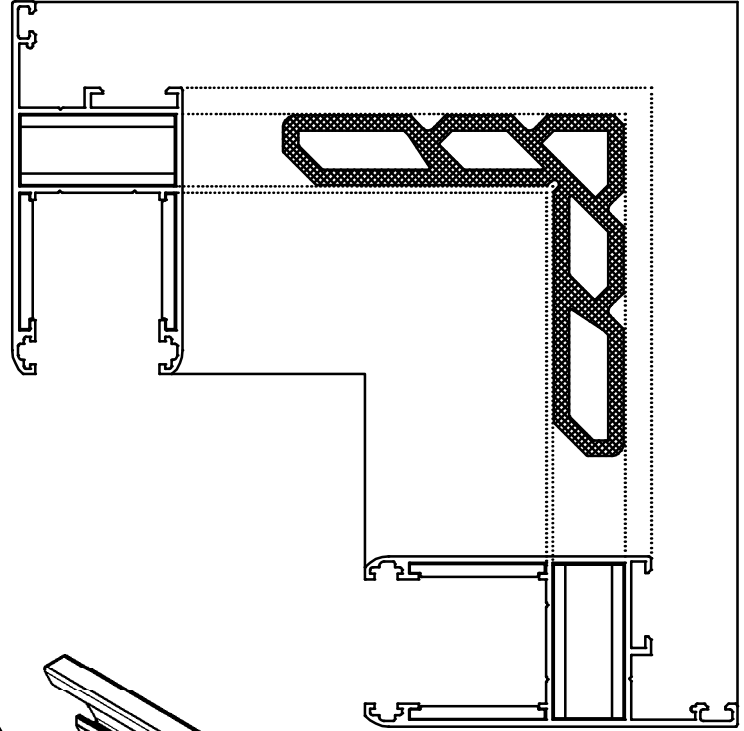
ÖLÇEK : 1/2
6255-10.0
1.843 Kg/m



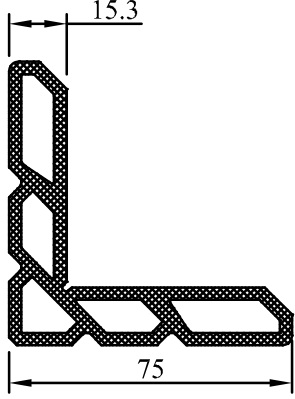
1. EHS - 02
2. EHS - 31
3. 6255-10.0 (gönye) / Cleat



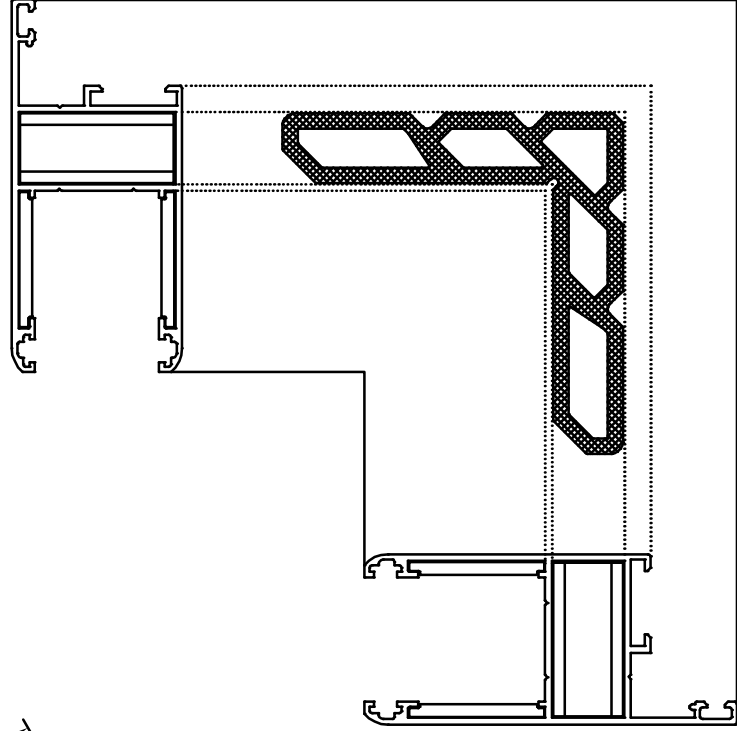
ÖLÇEK : 1/2
5375-15.3
2.903 Kg/m



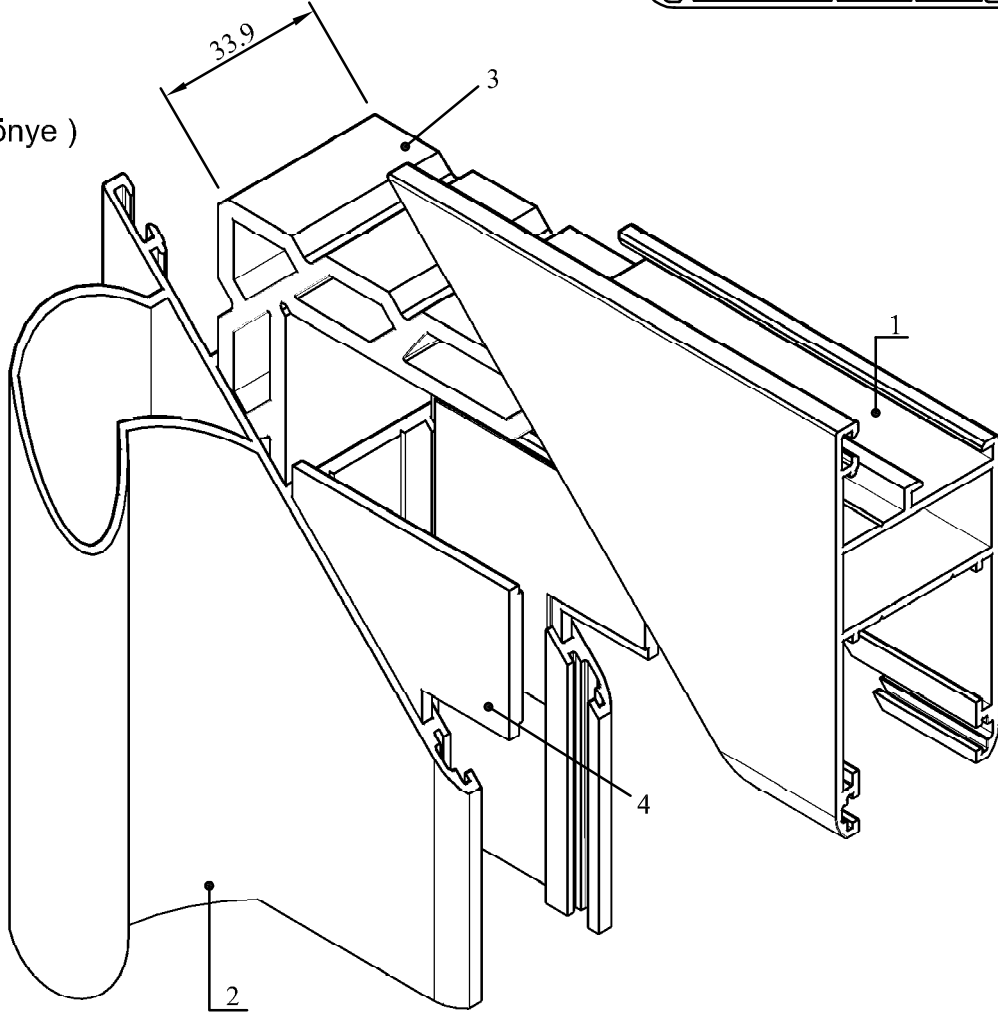
1. EHS - 11
2. 5375-15.3 (gönye) /Cleat

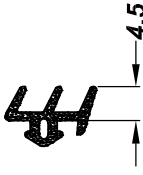
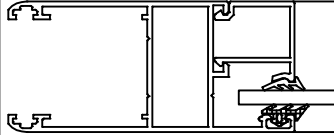
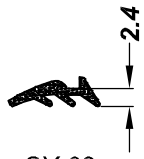
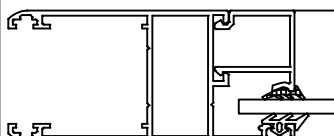

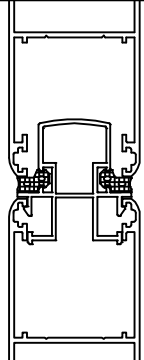

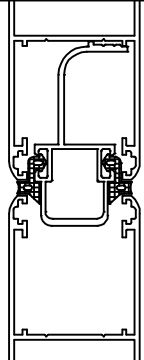

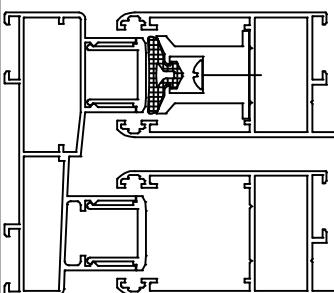


ÖLÇEK : 1/2
5375-15.3
2.903 Kg/m



1. EHS - 11
2. EHS - 12
3. 5375-15.3 (gönye)



Numarası (Code Number)	Koli Şekli (Pack Details)	Kullanıldığı Yer (Used At)	Uygulama Resmi (Application Picture)
 <p>SY 01</p>	<p>KOLİ / PACKAGE Gr/m = 61 gr Miktar/Quantity = 245 mt Koli ağırlığı / Package weight = 15 kg</p>	<p>Sabit dış cam fitili Outside glazing gasket</p>	
 <p>SY 02</p>	<p>KOLİ / PACKAGE Gr/m = 47 gr Miktar/Quantity = 310 mt Koli ağırlığı / Package weight = 15 kg</p>	<p>İç cam fitili Inside glazing gasket</p>	
 <p>EPDM 06</p>	<p>KOLİ / PACKAGE Gr/m = 50 gr Miktar/Quantity = 300 mt Koli ağırlığı / Package weight = 15 kg</p>	<p>Adaptör fitili Adapter gasket</p>	
 <p>EPDM 07</p>	<p>KOLİ / PACKAGE Gr/m = 65 gr Miktar/Quantity = 230 mt Koli ağırlığı / Package weight = 15 kg</p>	<p>Adaptör fitili Adapter gasket</p>	
 <p>GF 12</p>	<p>KOLİ / PACKAGE Gr/m = 150 gr Miktar/Quantity = 100 mt Koli ağırlığı / Package weight = 15 kg</p>	<p>Stoper fitili Stoper gasket</p>	

CAM KALINLIĞINA GÖRE FİTİL TAYİNİ
GASKET CHOICE ACCORDING TO GLAZING THICKNESS

A CAM ÇITASI (GLAZING BEAD)	B İÇ CAM FİTİLİ (INSIDE GLAZING GASKET)	C CAM KALINLIĞI (GLAZING THICKNESS)	D DIŞ CAM FİTİLİ (OUTSIDE GLAZING GASKET)	TOPLAM BOŞLUK (TOTAL SPACE)
EHS-45	SY02	3 mm	SY01	32,5 mm
EHS-44	SY02	4 mm	SY01	
EHS-44	SY02	5 mm	SY01	
EHS-43	SY02	6 mm	SY01	
EHS-43	SY02	8 mm	SY01	
EHS-46	SY02	18 mm	SY01	

