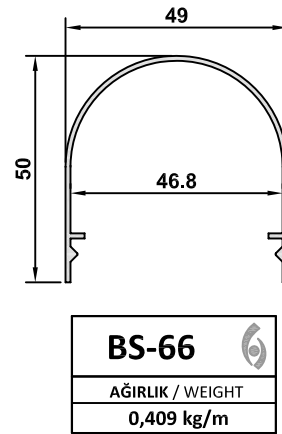
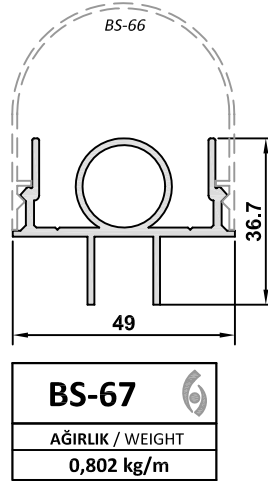
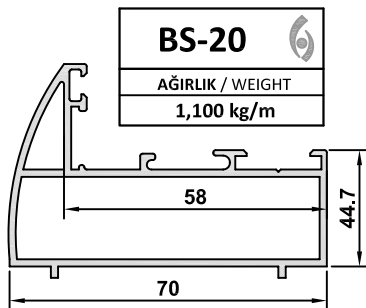
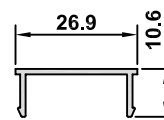
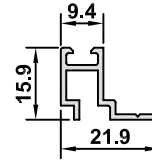
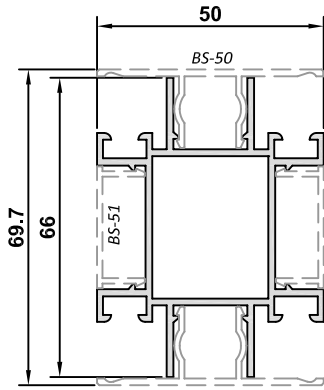
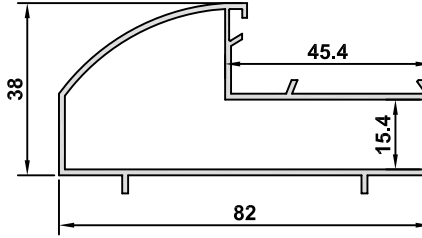
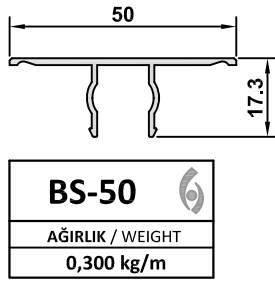
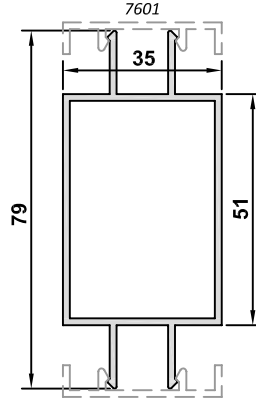
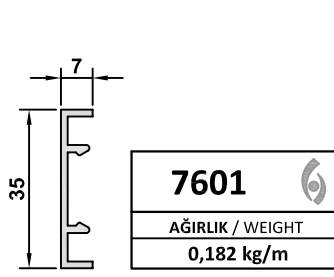


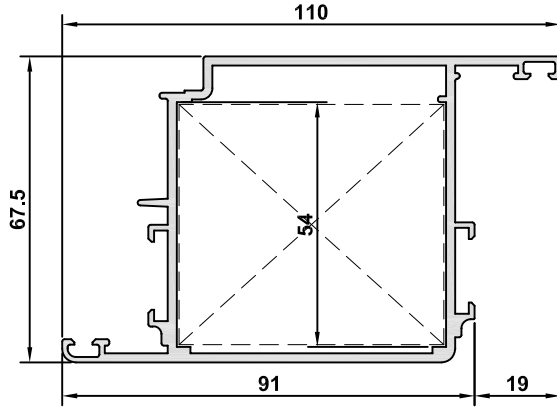


\* DİZGİSEL GEREKLİLİKLERDEN ÖTÜRÜ TÜM ÇİZİMLER (  $\frac{3}{5}$  ) ÖLÇEKLİDİR.

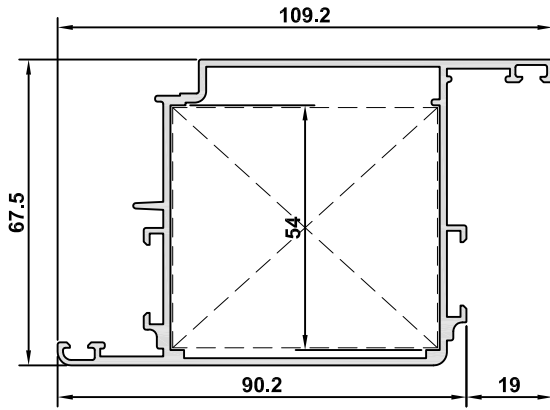
ALL OF THE DRAWINGS ARE (  $\frac{3}{5}$  ) SCALED FOR THE TYPOGRAPHIC NECESSITIES.



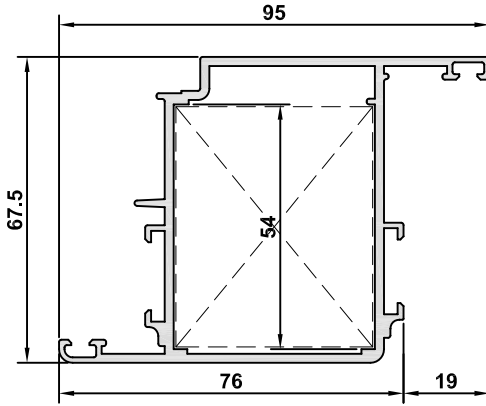




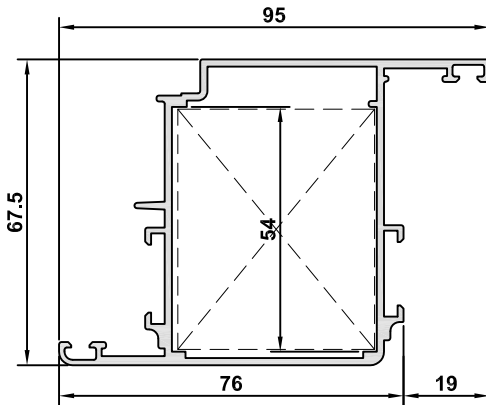
<b>S5637-20</b>		
KÖŞE BAĞLANTILARI CORNER CLEATS AND ALIGNMENTS		
5680-59 (53,5mm)		
<b>Jx</b> (cm <sup>4</sup> )	<b>Jy</b> (cm <sup>4</sup> )	<b>y</b> x
37,39	70,81	
AĞIRLIK / WEIGHT		
1,840 kg/m		



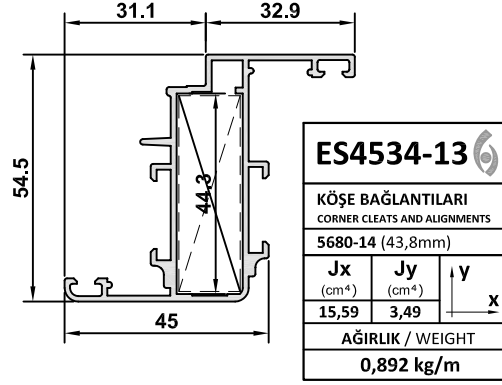
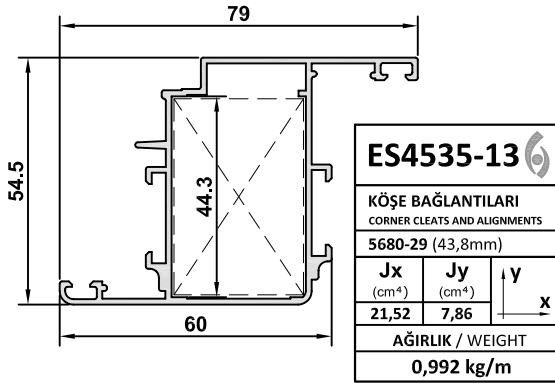
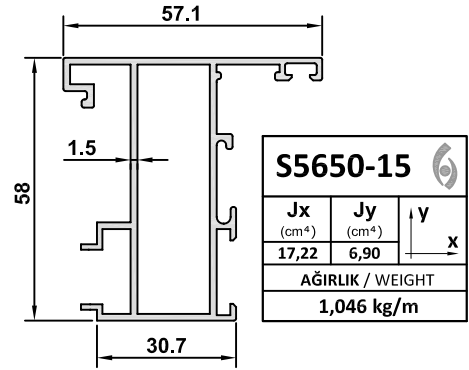
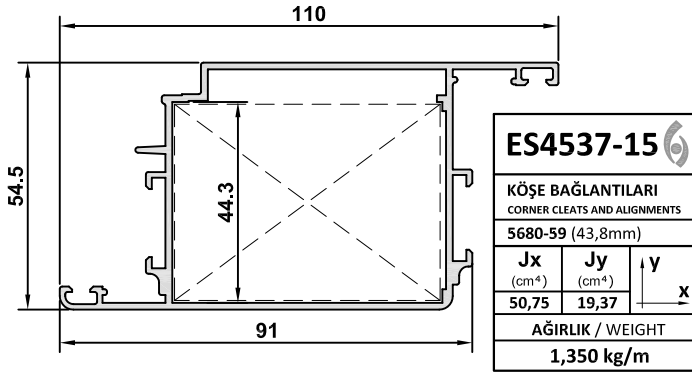
<b>S5637-16</b>		
KÖŞE BAĞLANTILARI CORNER CLEATS AND ALIGNMENTS		
5680-59 (53,5mm)		
<b>Jx</b> (cm <sup>4</sup> )	<b>Jy</b> (cm <sup>4</sup> )	<b>y</b> x
36,42	69,86	
AĞIRLIK / WEIGHT		
1,570 kg/m		



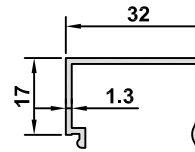
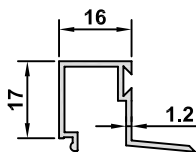
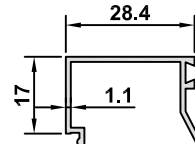
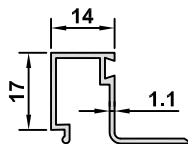
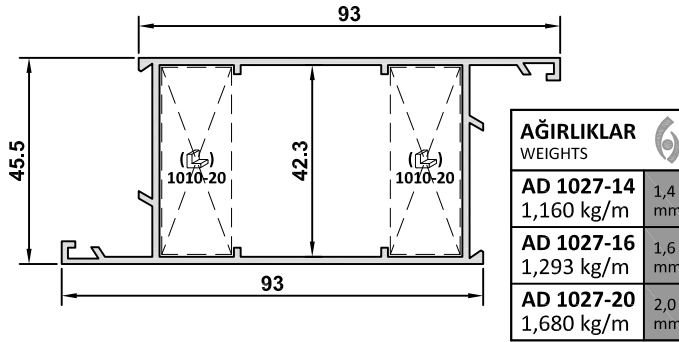
<b>S5636-20</b>		
KÖŞE BAĞLANTILARI CORNER CLEATS AND ALIGNMENTS		
5680-44 (53,5mm)		
<b>Jx</b> (cm <sup>4</sup> )	<b>Jy</b> (cm <sup>4</sup> )	<b>y</b> x
25,45	52,17	
AĞIRLIK / WEIGHT		
1,675 kg/m		



<b>S5636-16</b>		
KÖŞE BAĞLANTILARI CORNER CLEATS AND ALIGNMENTS		
5680-44 (53,5mm)		
<b>Jx</b> (cm <sup>4</sup> )	<b>Jy</b> (cm <sup>4</sup> )	<b>y</b> x
24,25	51,15	
AĞIRLIK / WEIGHT		
1,440 kg/m		

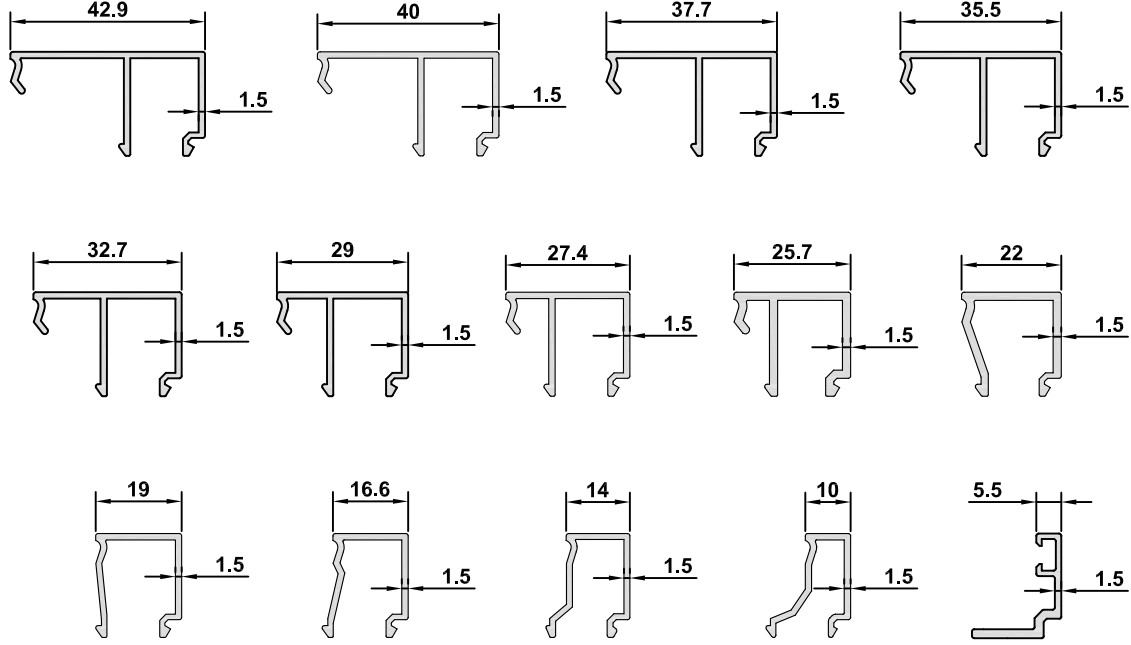


4



## CAM ÇITALARI

GLAZING BEADS



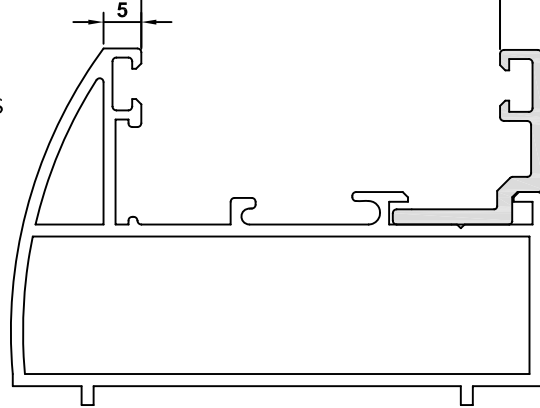
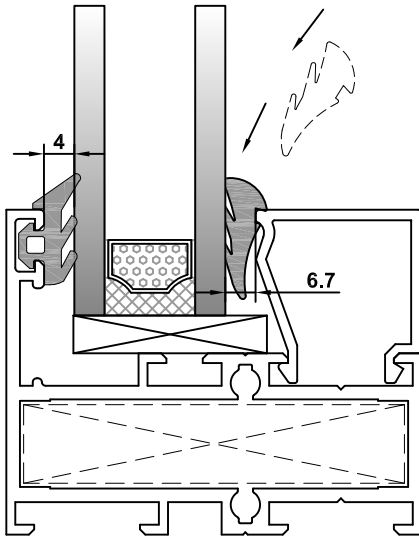
PROFİL NO PROFILE NO	GENİŞLİK WIDHT (mm)	ET KALINLIĞI WALL THICKNESS (mm)	AĞIRLIK WEIGHT (kg)
5647-15	42,9	1,5	0,393
5649-15	40	1,5	0,393
5646-15	37,7	1,5	0,377
7046-14	35,5	1,5	0,344
6500-14	32,7	1,5	0,336
ES4545-13	30,5	1,5	0,306
5645-15	29	1,5	0,344
5644-15	27,4	1,5	0,304
5643-15	25,7	1,5	0,309
5642-15	22	1,5	0,266
Y55410-15	19	1,5	0,247
5641-15	16,6	1,5	0,245
ES4540-13	14	1,5	0,228
5640-15	10	1,5	0,227
5648-15	5,5	1,5	0,220

## CAM KALINLIĞINA BAĞLI CAM ÇITASI SEÇİM TABLOSU

GLAZING BEAD SELECTION TABLE ACCORDING TO THE GLASS THICKNESS

5647-15	10.1	42.9
5649-15	13	40
5646-15	15.3	37.7
7046-14	17.5	35.5
6500-14	20.3	32.7
ES4545-13	22.5	30.5
5645-15	24	29
5644-15	25.6	27.4
5643-15	27.3	25.7
5642-15	31	22
Y55410-15	34	19
5641-15	36.4	16.6
ES4540-13	39	14
5640-15	43	10
5648-15	47.5	5.5

**\*\* YUKARIDA VERİLEN PROFİL VE FİTİL İLİŞKİLERİ TEORİKTİR.**  
THE RELATION BETWEEN PROFILES & GASKETS ARE THEORETICAL AS SEEN ABOVE.



**DIŞ FİTİLLER STANDART EBATTA OLUP 4mm KALINLIĞINDADIR. İÇTEKİ KAMA FİTİLİN BOŞLUĞU İSE, MÜMKÜNSE MİNİMUM 3mm OLACAK ŞEKİLDE AYARLANMALIDIR.**

THE OUTER GASKET'S DIMENSION ARE STANDARD WITH 4mm THICKNESS. IF IT'S POSSIBLE, THE INNER GASKET'S SPACE ADJUSTED MINIMUM 3mm.

**CAM VE PROFİL TOLERANSLARI + VEYA - YÖNDE BERABER ÇALIŞARAK TEORİDE OLMASI GEREKENDEN BÜYÜK VEYA KÜÇÜK BİR FİTİL BOŞLUĞUNA NEDEN OLABİLİR.**

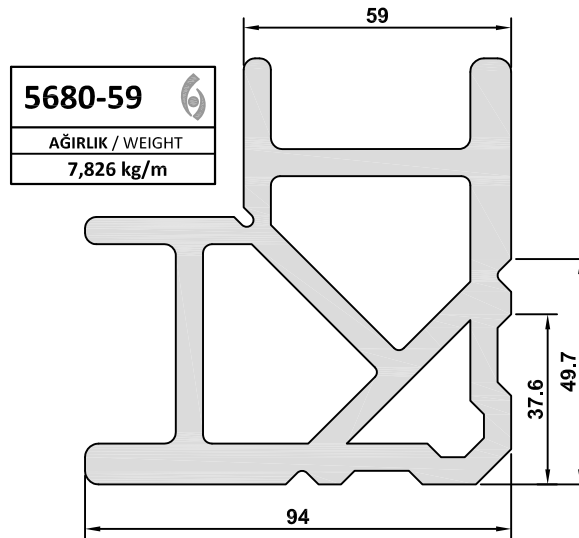
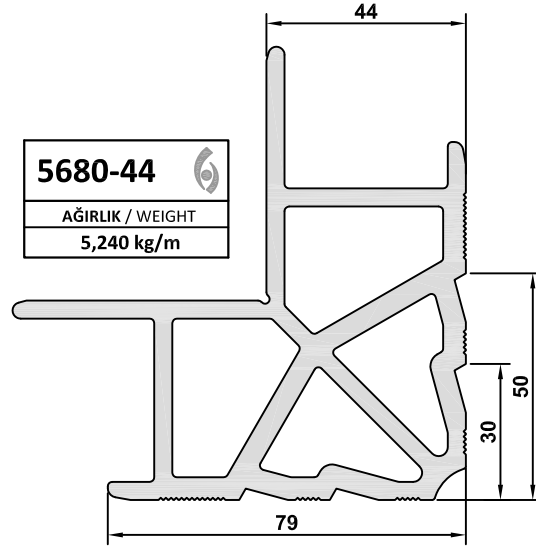
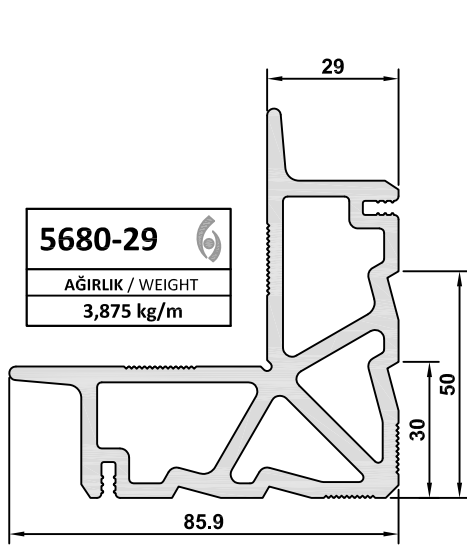
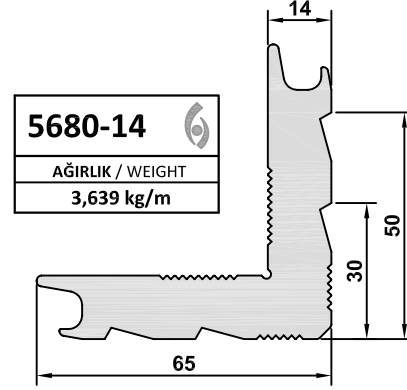
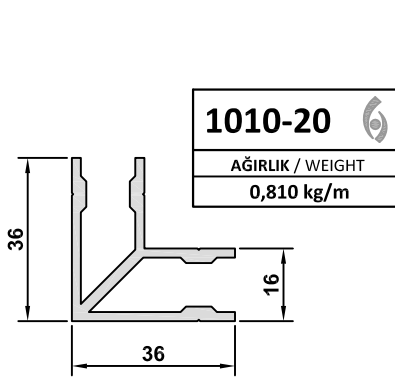
THE GLASS AND THE PROFILE TOLERANCES CAN BE WORK AT + OR - DIRECTION TOGETHER. IT CAUSES THE GASKET'S SPACE BIGGER OR SMALLER THAN NORMAL.

**İÇ KAMA FİTİLLERİN YERİNE GEÇMESİNDE PROBLEM YAŞANMAMASI İÇİN, ÖNCELİKLE BİR NUMUNE ÜZERİNDE DENENMESİ TAVSİYE EDERİZ.**

WE ADVISE THAT THE INNER GASKET AND GLAZING BEAD RELATION SHOULD BE CHECKED ON A MOCK-UP BEFORE.

## ALÜMİNYUM AKSESUAR PROFİLLERİ













PROFILES OF ALUMINIUM ACCESSORIES



# DETAYLAR

# DETAILS

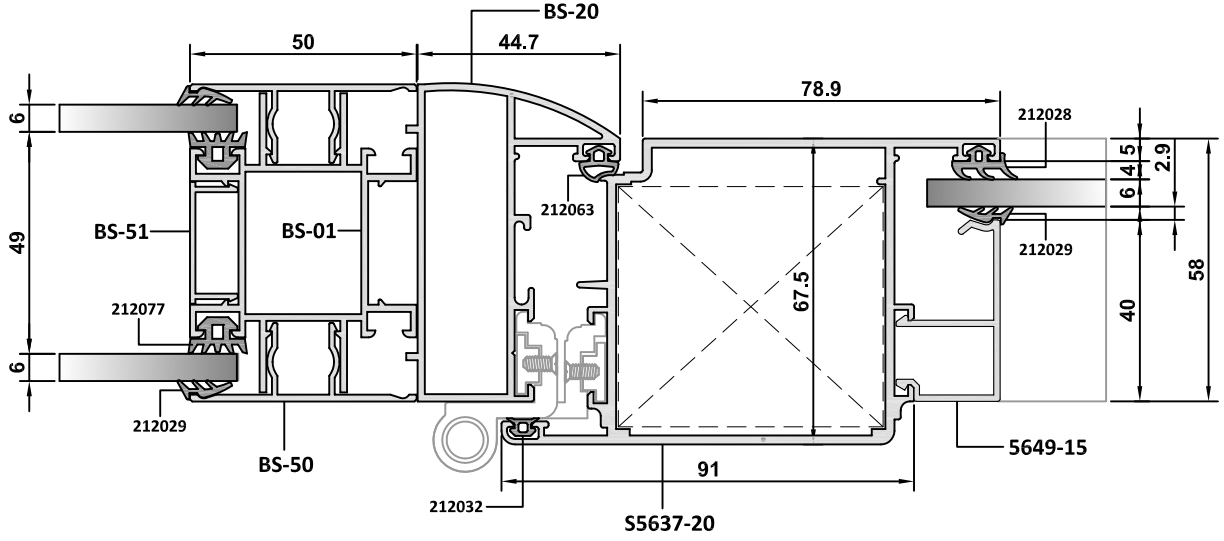
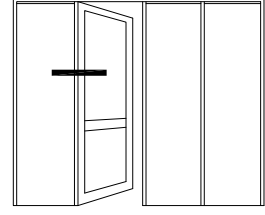
## TARAMA STİLLERİ / HATCH STYLES

- |   |   |   |  |
|---|---|---|--|
|  | EPDM FİTİL / EPDM GASKET                  |  | PVC PROFİL / PVC PROFILE                     |
|  | STRÜKTÜREL SİLİKON / STRUCTURAL SILICONE  |  | ÇELİK PROFİL / STEEL PROFILE                 |
|  | MESAFE BELİRLEYİCİ / SPACE ADJUSTER       |  | SU YALITIM MEMBRANI / WATERPROOFING MEMBRANE |
|  | ALÜMİNYUM PROFİL / ALUMINIUM PROFILE      |  | POLİETİLEN CONTA / POLYETHYLENE GASKET       |
|  | PROFİL PARÇA (Al) / PIECE OF PROFILE (Al) |  | TAŞYÜNÜ / ROCKWOOL                           |
|  | ISI BARIYERİ / INSULATION BAR             |  | CAM / GLASS                                  |



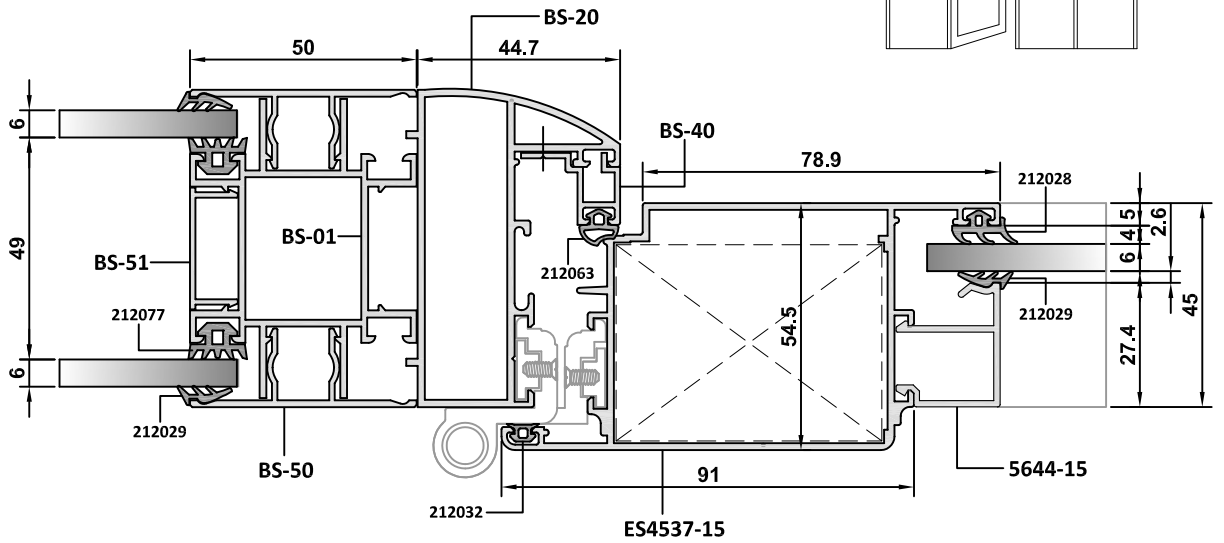
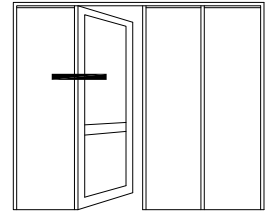
## İÇ BÖLME SİSTEMİ İÇİNDE 58mm KAPI DETAYI

58mm DOOR DETAIL INSIDE THE INDOOR SYSTEM



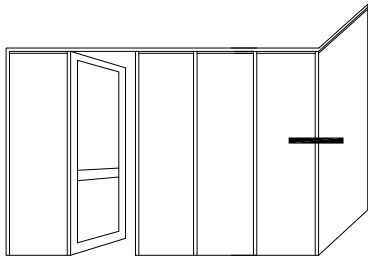
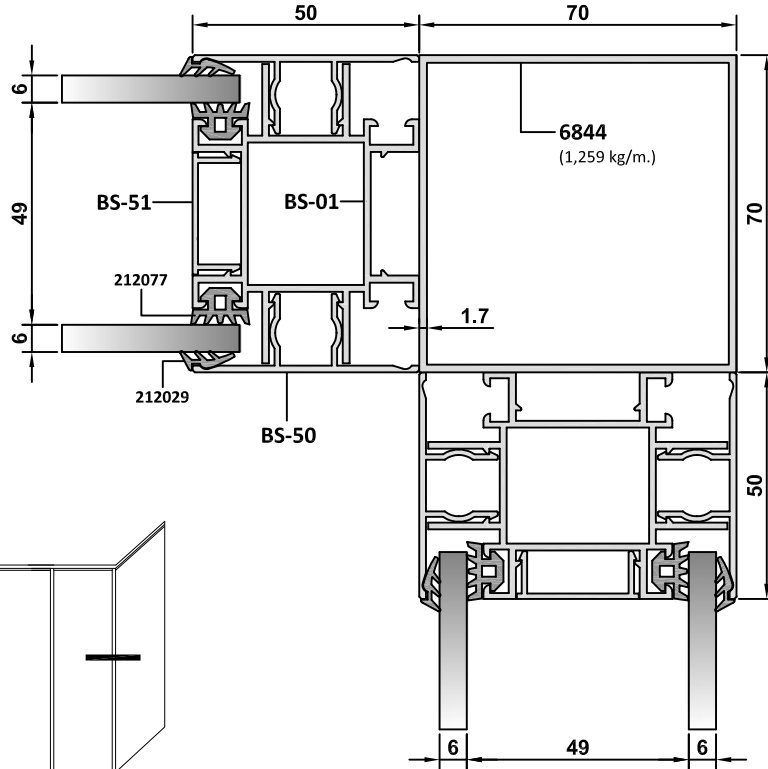
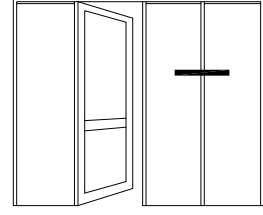
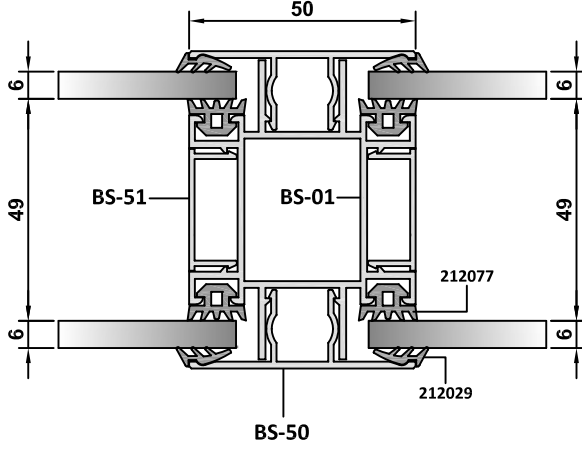
## İÇ BÖLME SİSTEMİ İÇİNDE 45mm KAPI DETAYI

45mm DOOR DETAIL INSIDE THE INDOOR SYSTEM



## İÇ BÖLME SİSTEMİ DÜŞEY ORTA KAYIT DETAYI

### MULLION DETAIL OF THE OFFICE PARTITION SYSTEM



## İÇ BÖLME SİSTEMİ KÖŞE DÖNÜŞ DETAYI

### CORNER DETAIL OF THE OFFICE PARTITION SYSTEM

## İÇ BÖLME SİSTEMİ İÇİNDE 45,5mm KAPI DETAYI 45,5mm DOOR DETAIL INSIDE THE INDOOR SYSTEM

