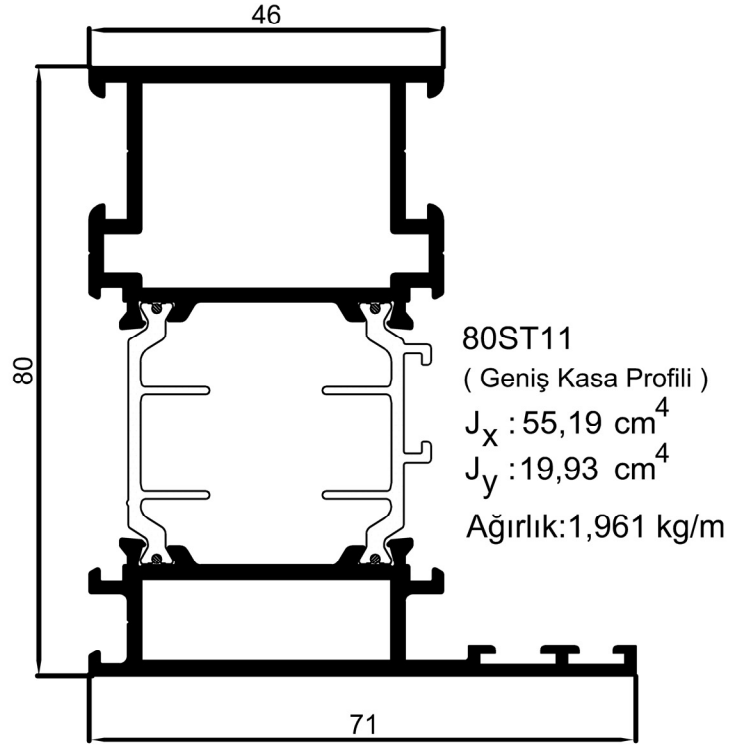
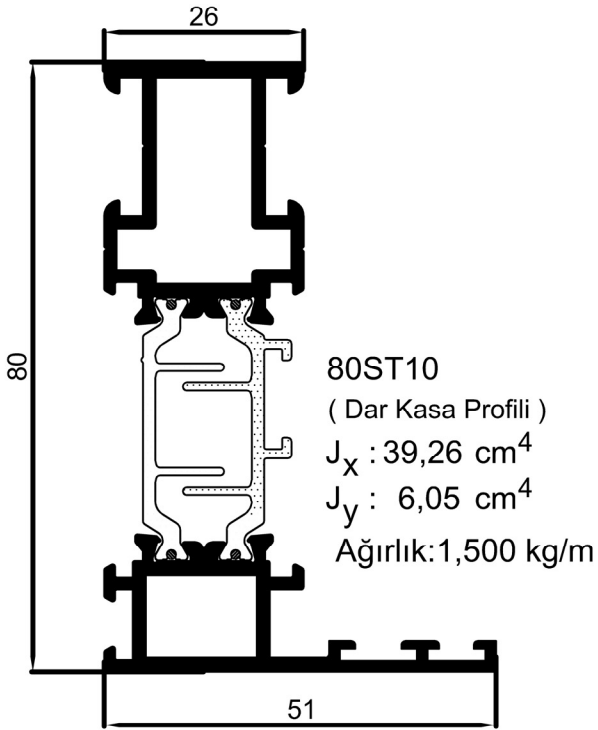
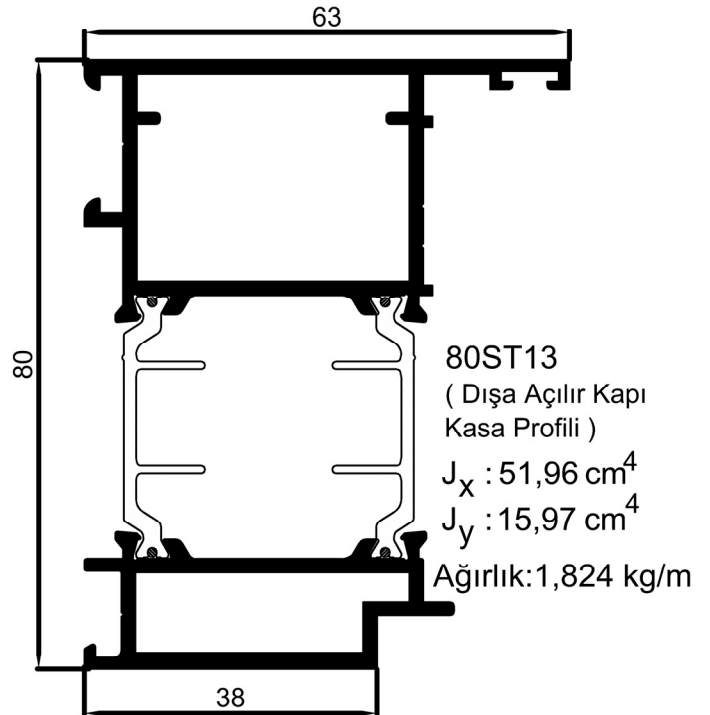
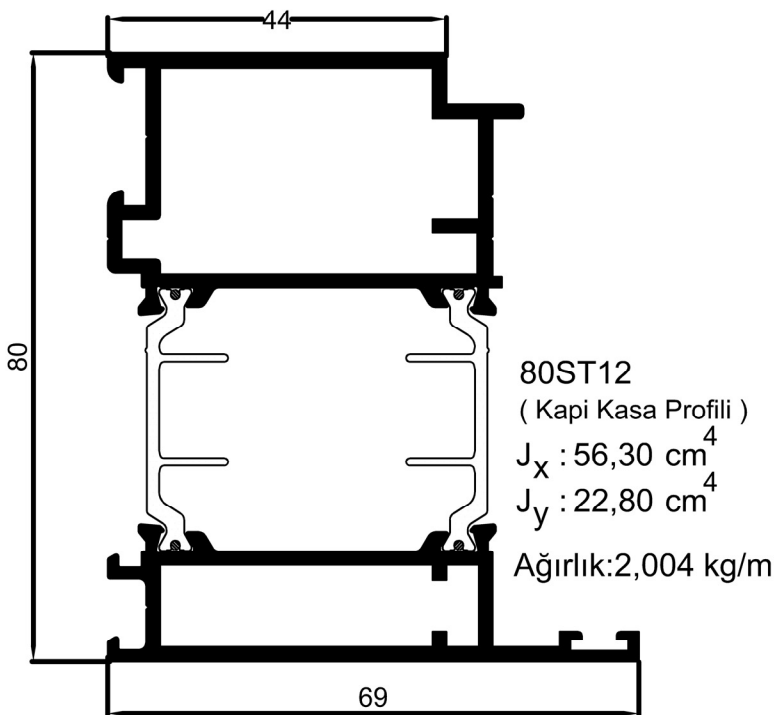


Kasa / Bağlantı Profilleri

Frame / Connection Profiles



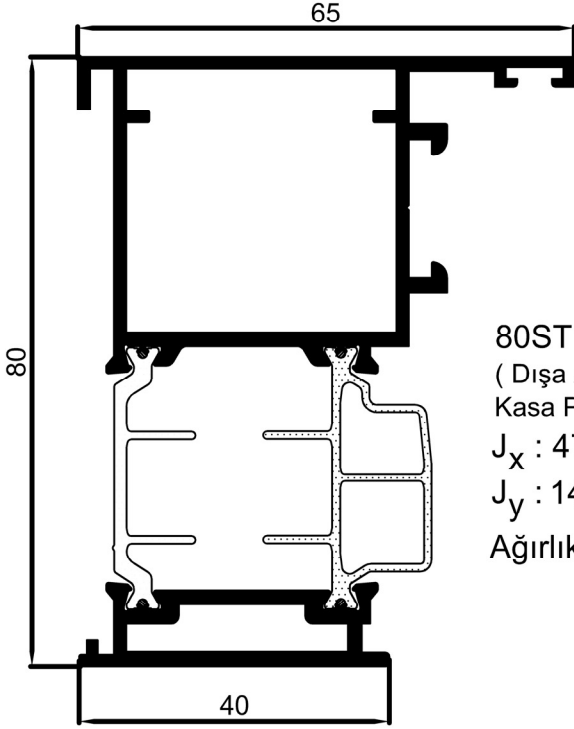
Ölçek/Scale : 1/1



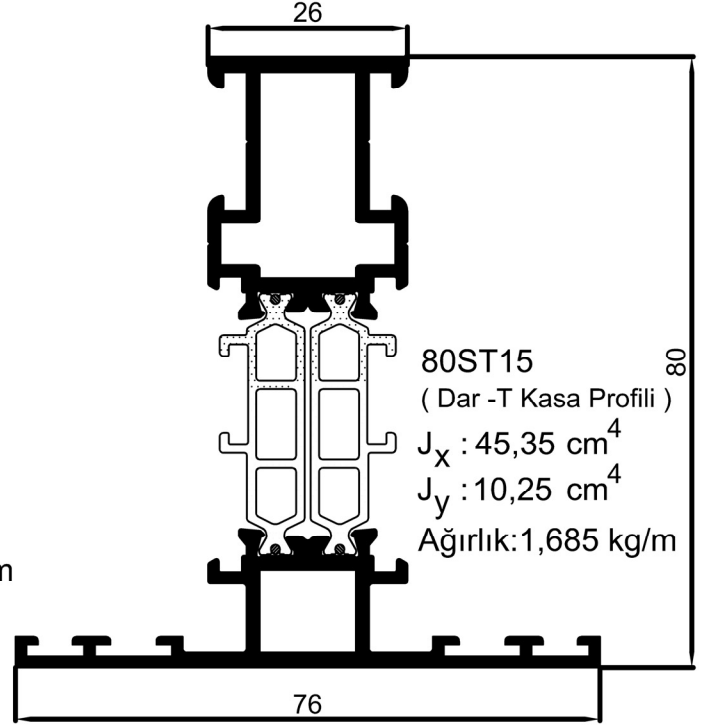
ST 80

Kasa Profilleri

Frame Profiles

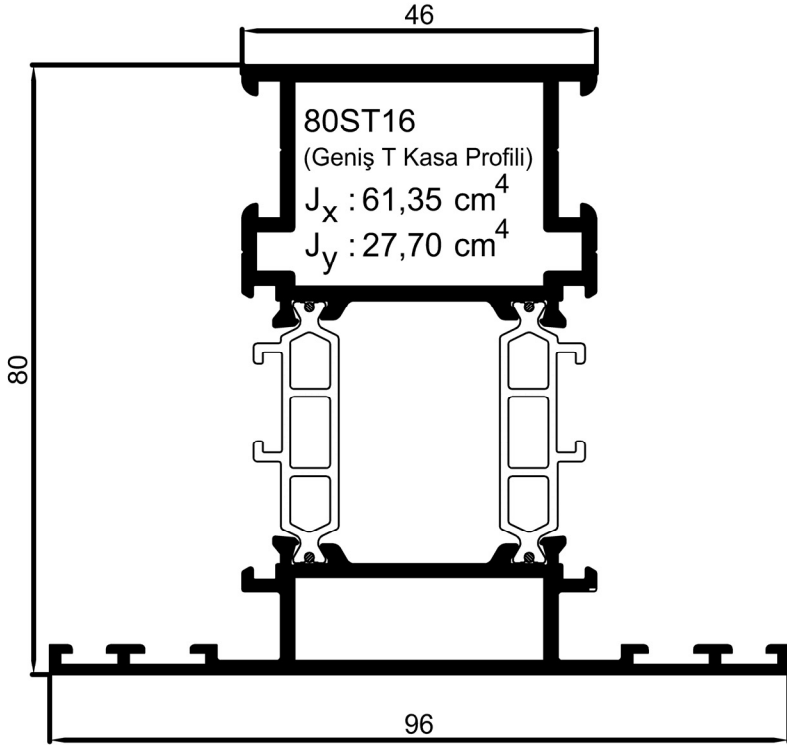


80ST14
(Dışa Açılır Kapı
Kasa Profili)
 $J_x : 47,32 \text{ cm}^4$
 $J_y : 14,87 \text{ cm}^4$
Ağırlık:1,742 kg/m



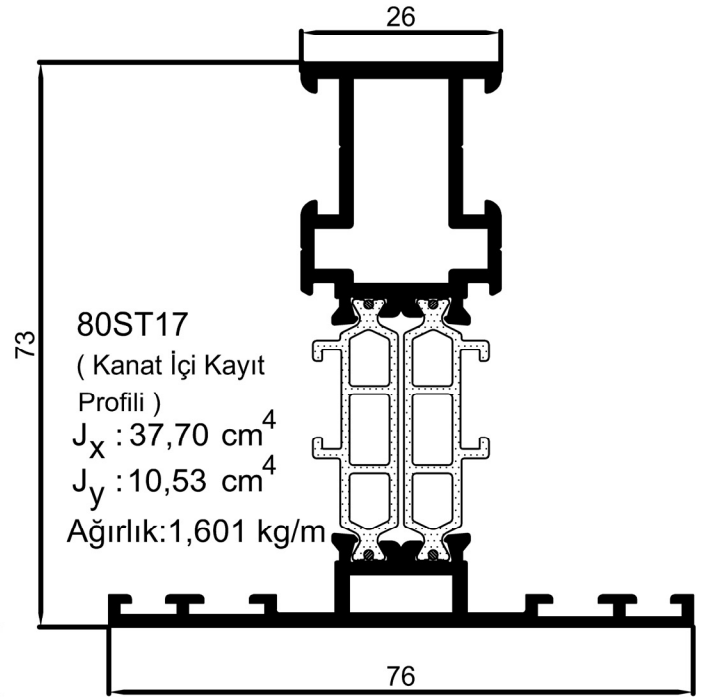
80ST15
(Dar -T Kasa Profili)
 $J_x : 45,35 \text{ cm}^4$
 $J_y : 10,25 \text{ cm}^4$
Ağırlık:1,685 kg/m

Ölçek/Scale : 1/1



80ST16
(Geniş T Kasa Profili)
 $J_x : 61,35 \text{ cm}^4$
 $J_y : 27,70 \text{ cm}^4$

Ağırlık:2,158 kg/m

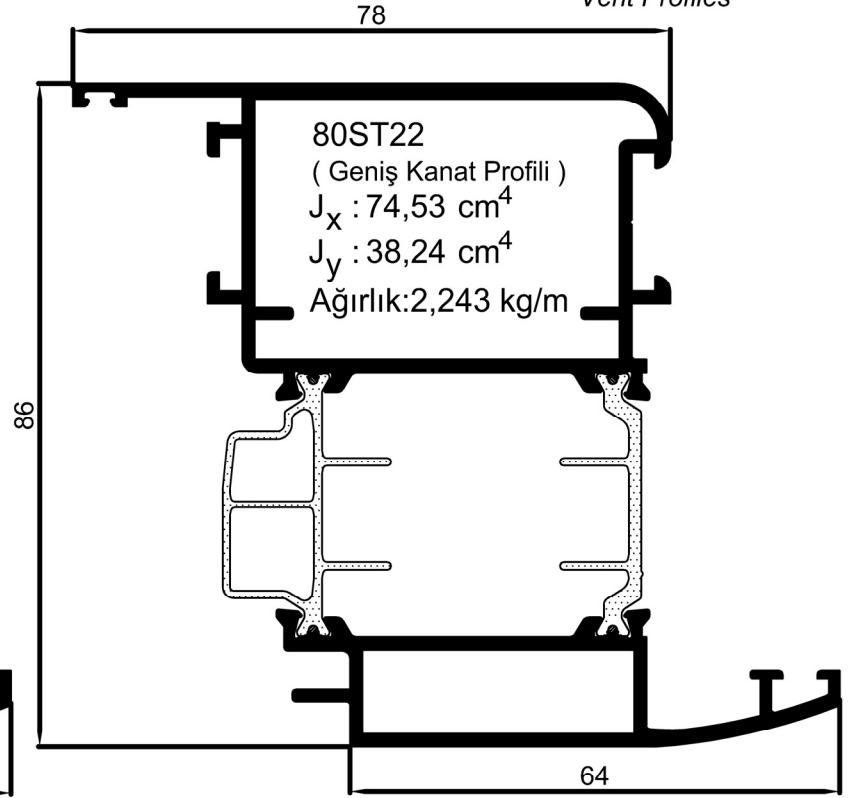
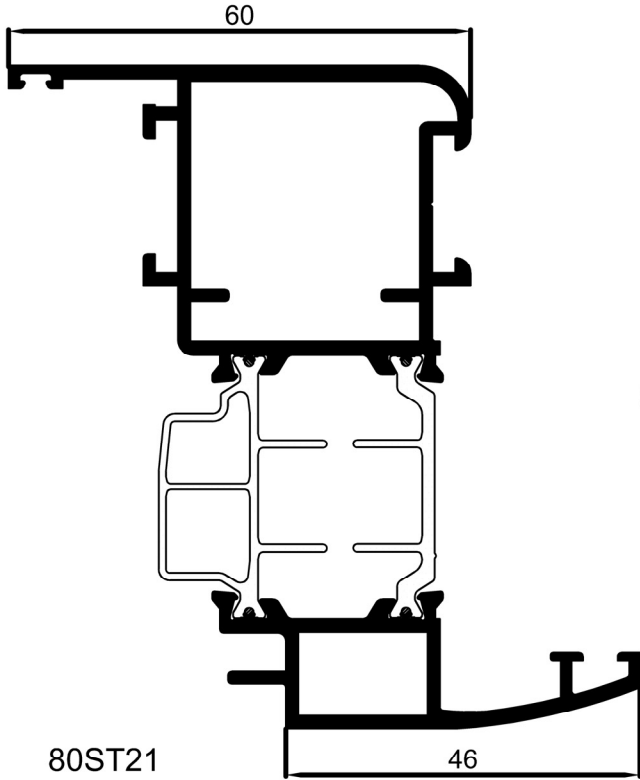


80ST17
(Kanat İçi Kayıt
Profili)
 $J_x : 37,70 \text{ cm}^4$
 $J_y : 10,53 \text{ cm}^4$
Ağırlık:1,601 kg/m

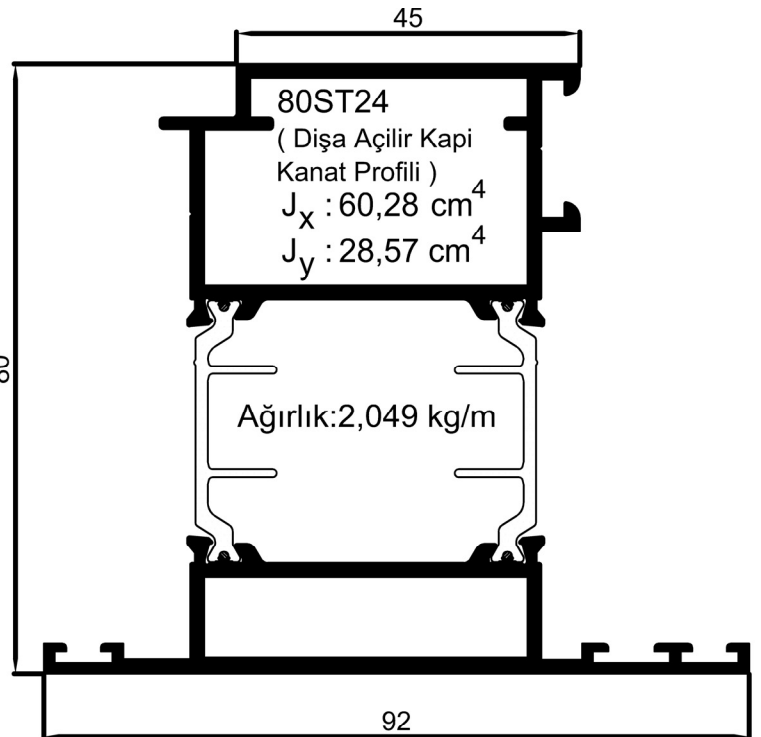
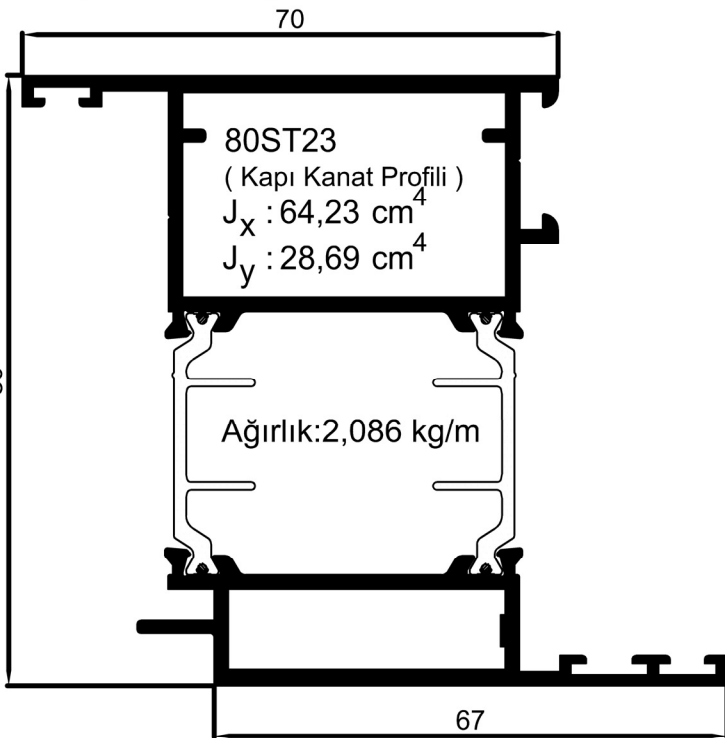
ST 80

Kanat Profilleri

Vent Profiles

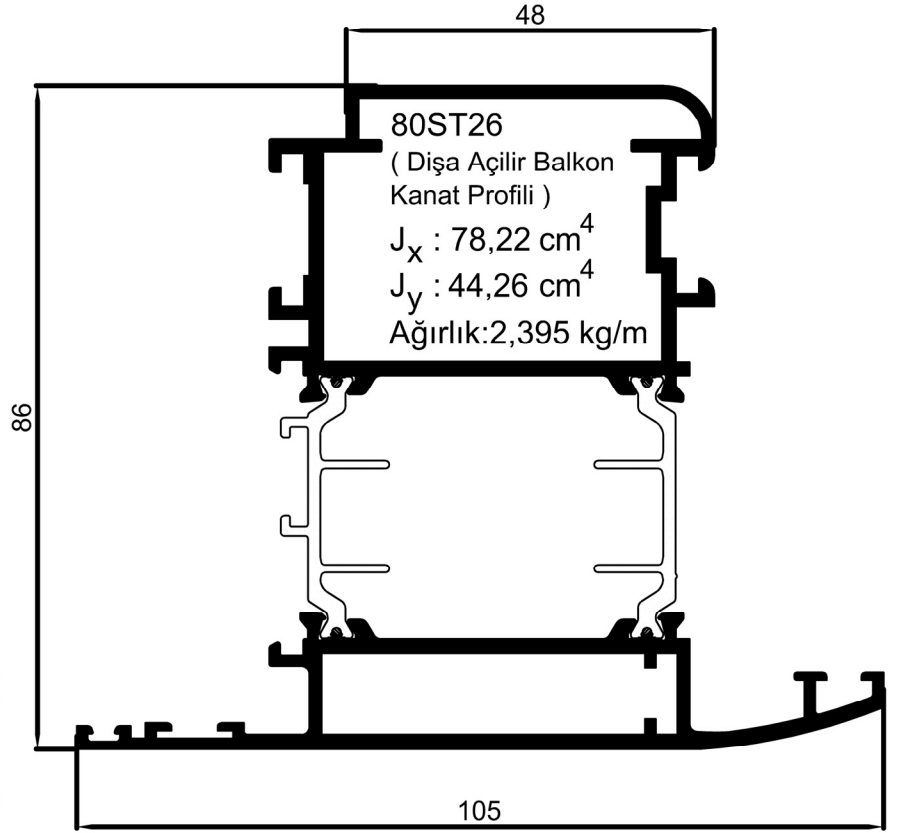
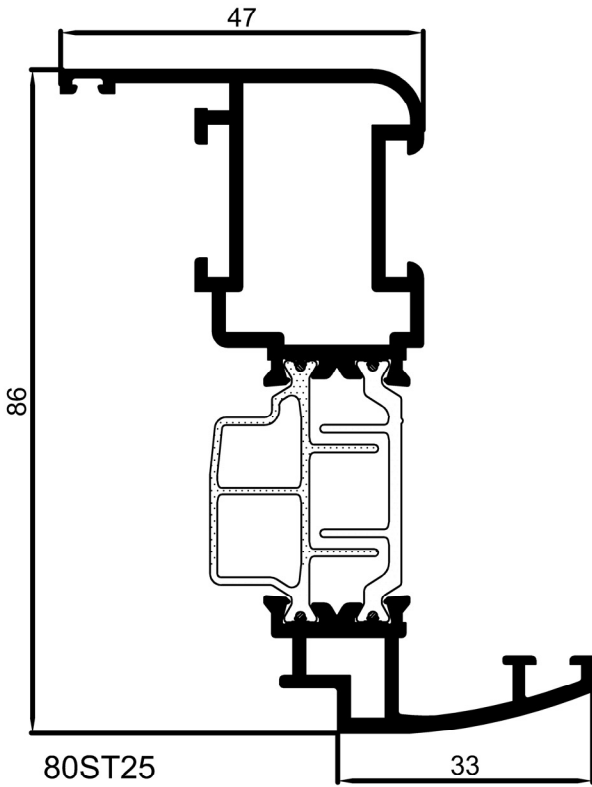


Ölçek/Scale : 1/1

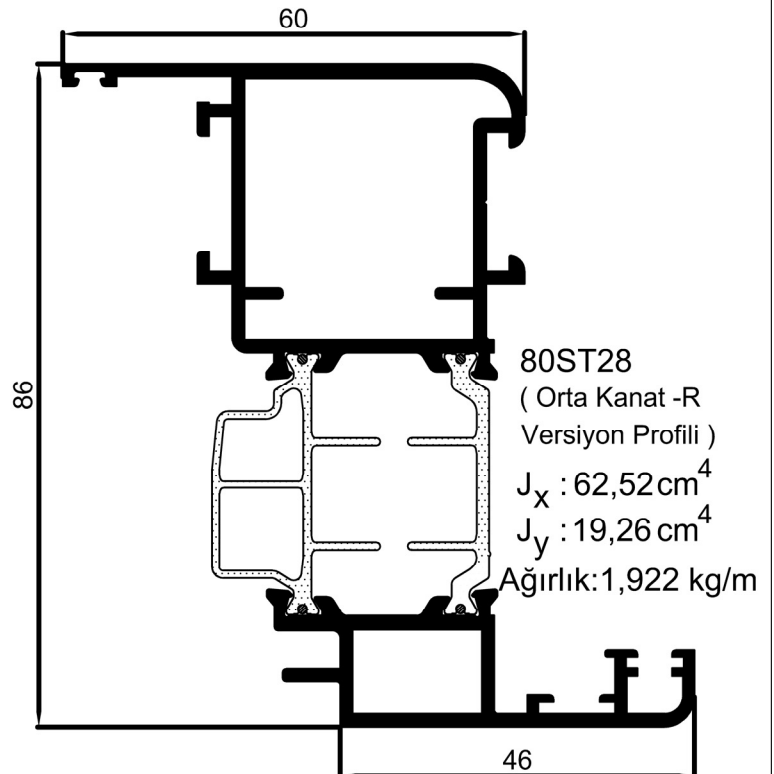
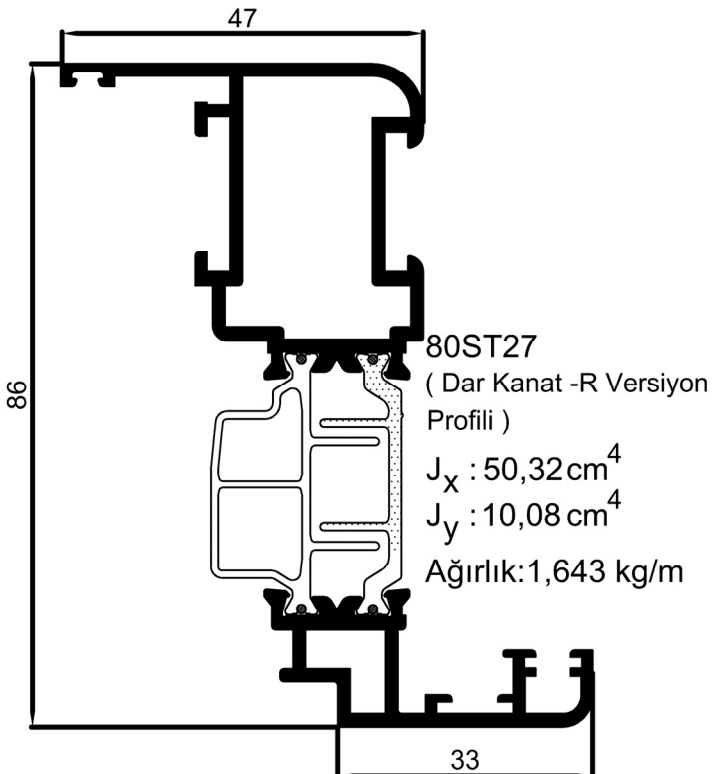


Kanat / Adaptör Profilleri

Vent / Adapter Profiles



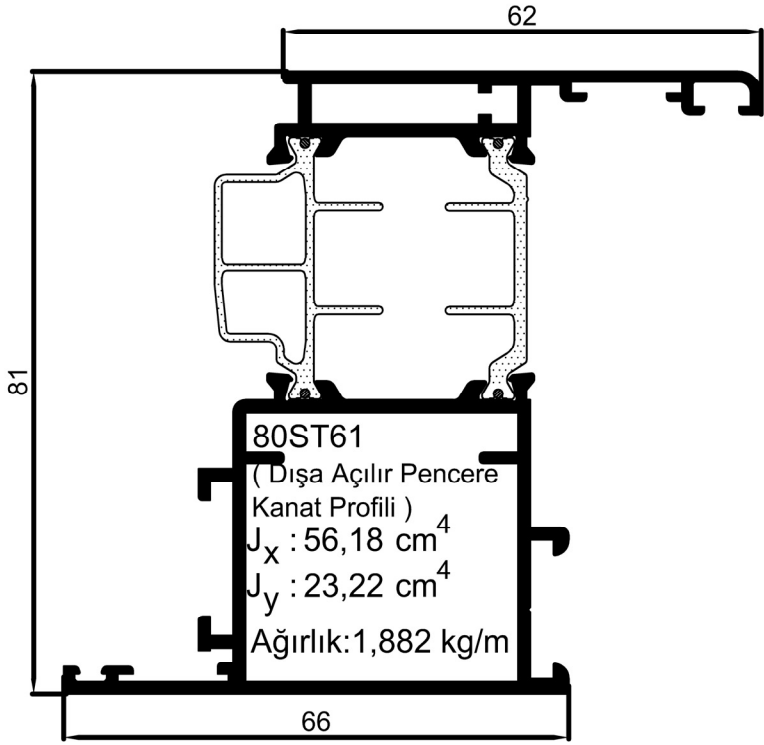
Ölçek/Scale : 1/1



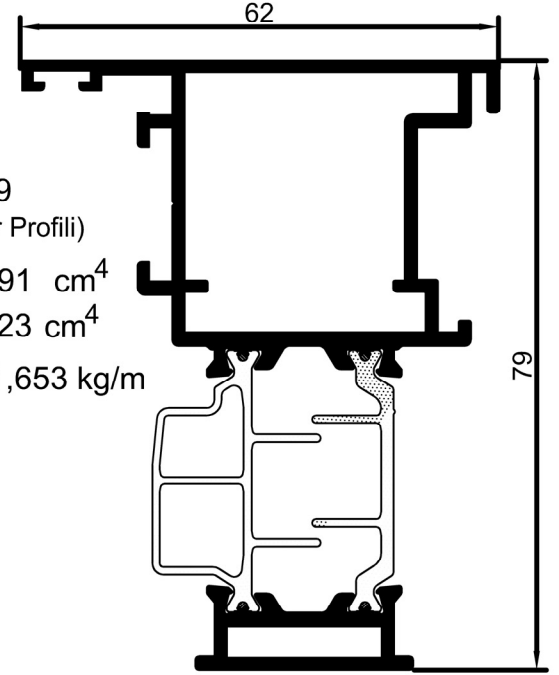
ST 80

Kanat/ Bağlantı Profilleri Profilleri

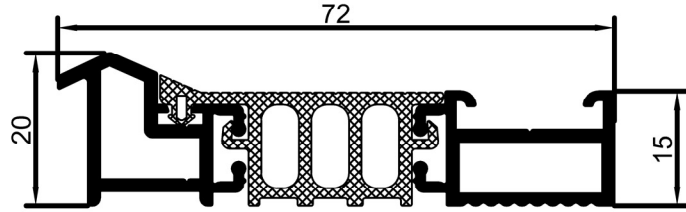
Vent / Connection Profiles



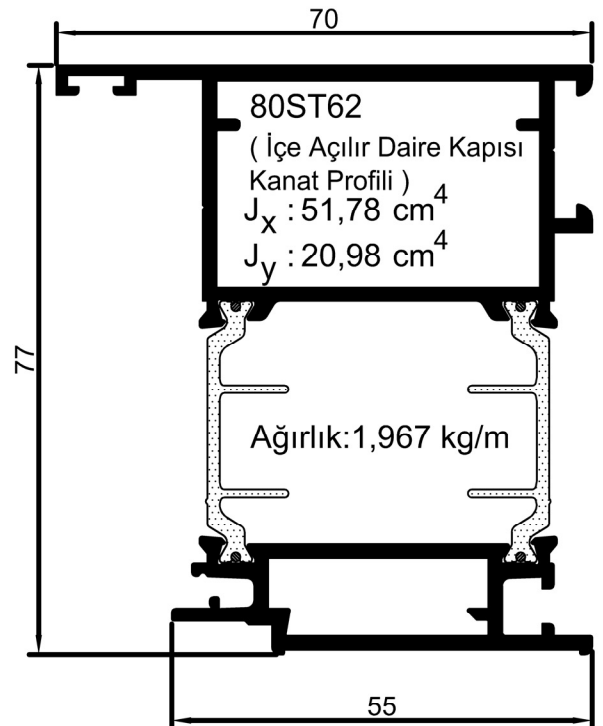
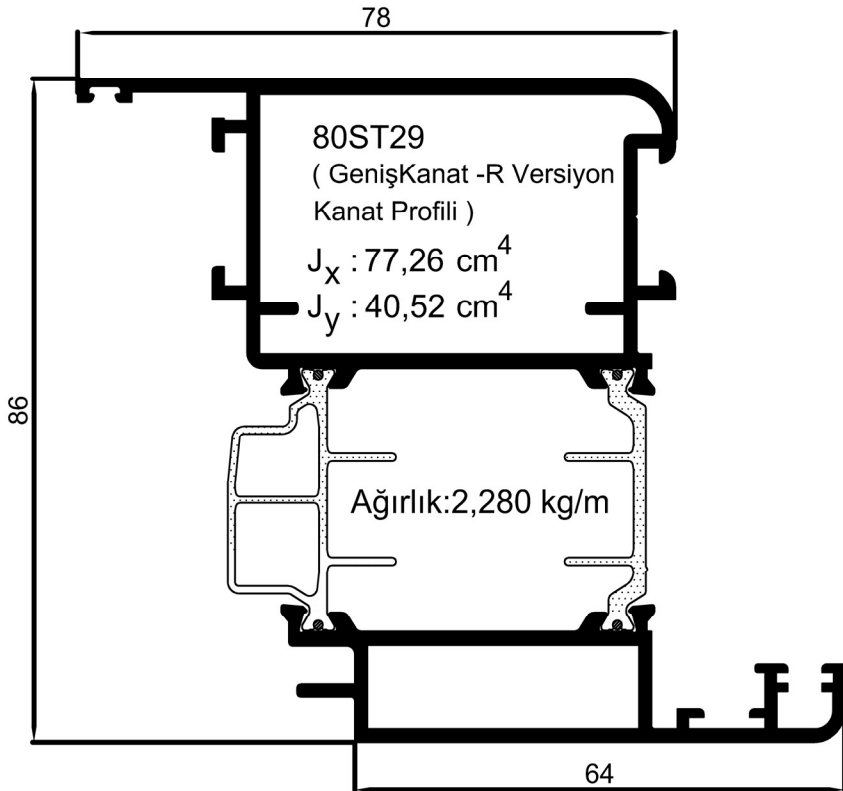
80ST49
(Adaptör Profili)
 $J_x : 38,91 \text{ cm}^4$
 $J_y : 11,23 \text{ cm}^4$
Ağırlık:1,653 kg/m



Ölçek/Scale : 1/1



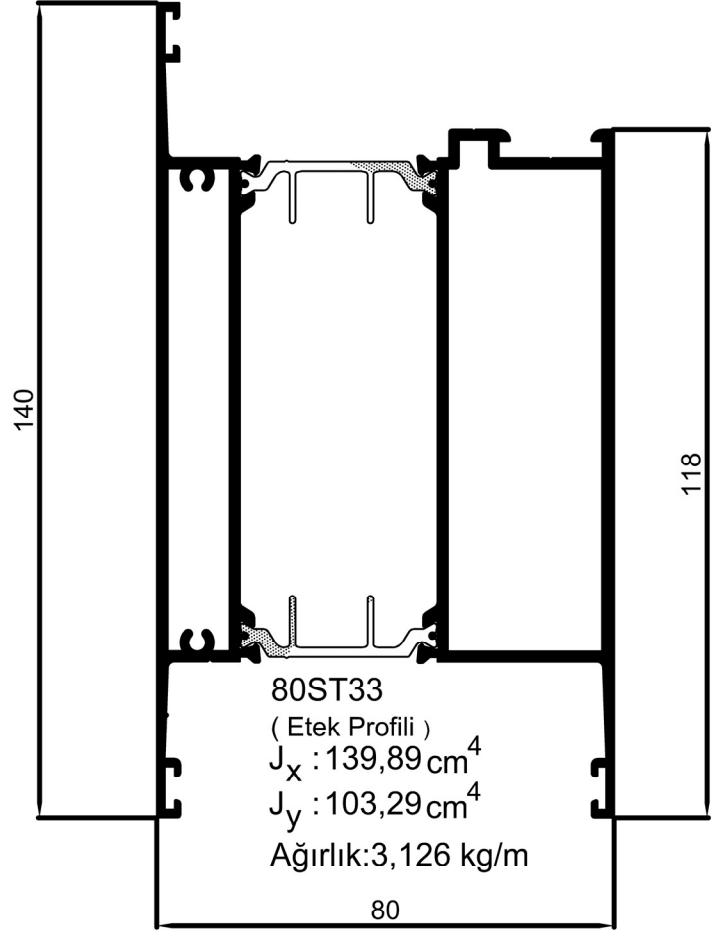
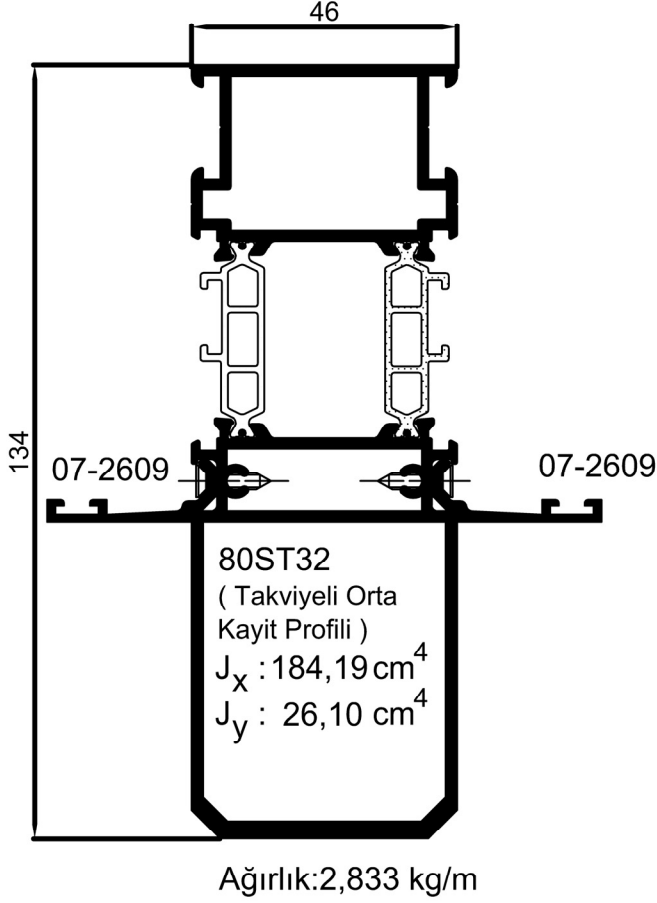
80ST75
(Eşik Profili)
Ağırlık:0,912 kg/m



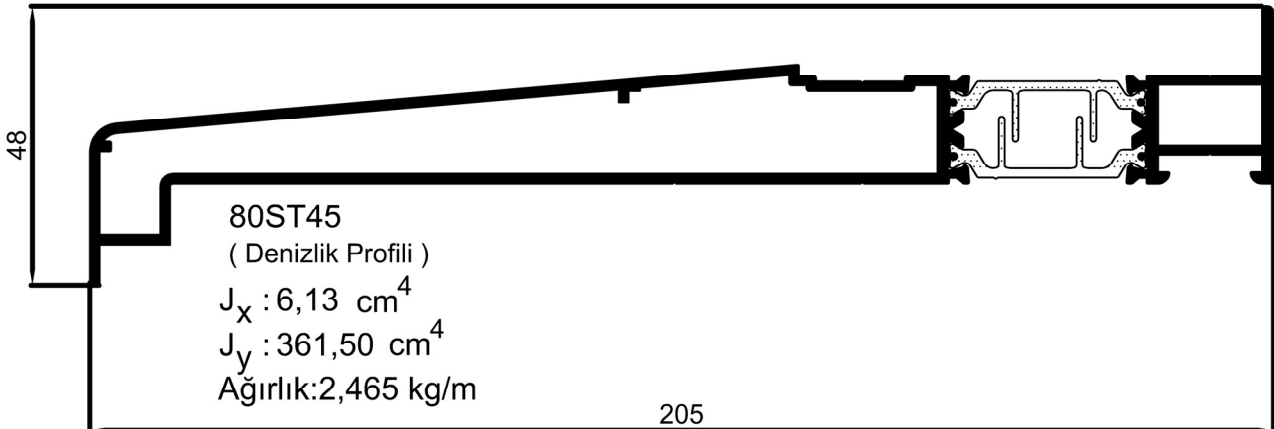
ST 80

Orta Kayıt / Etek / Denizlik Profilleri

Transom-Mullion /
Bottom Rail / Sill Profiles

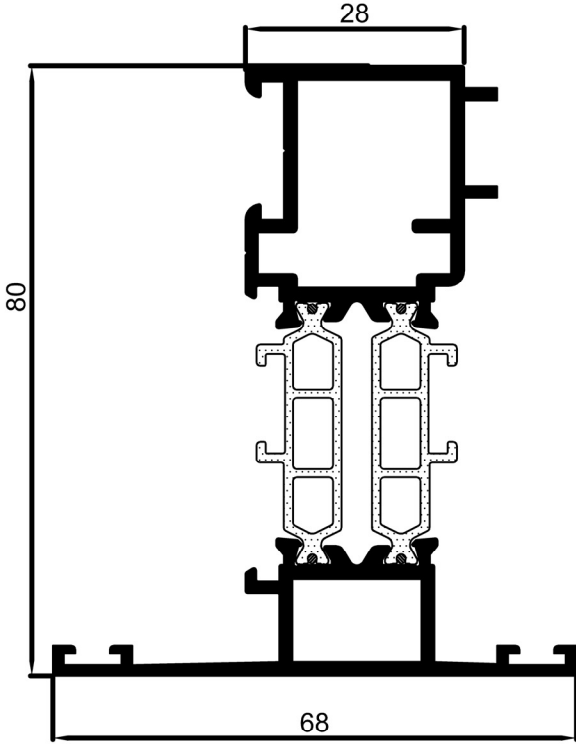


Ölçek/Scale : 3/4

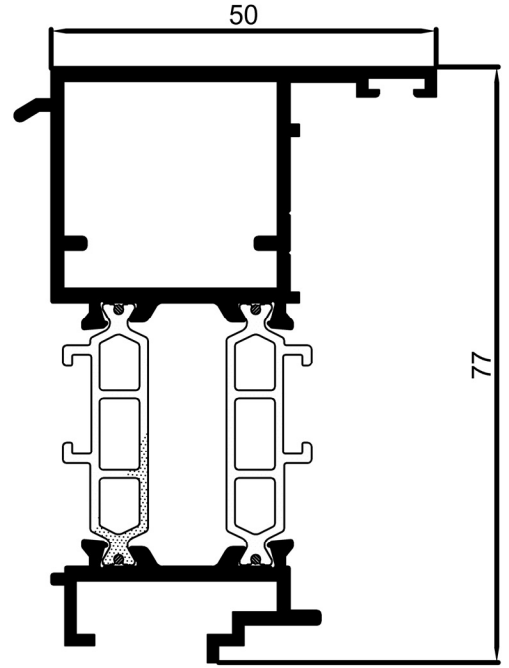


Orta Kayıt / Adaptör Profilleri

Transom/Mullion
/ Adapter Profiles

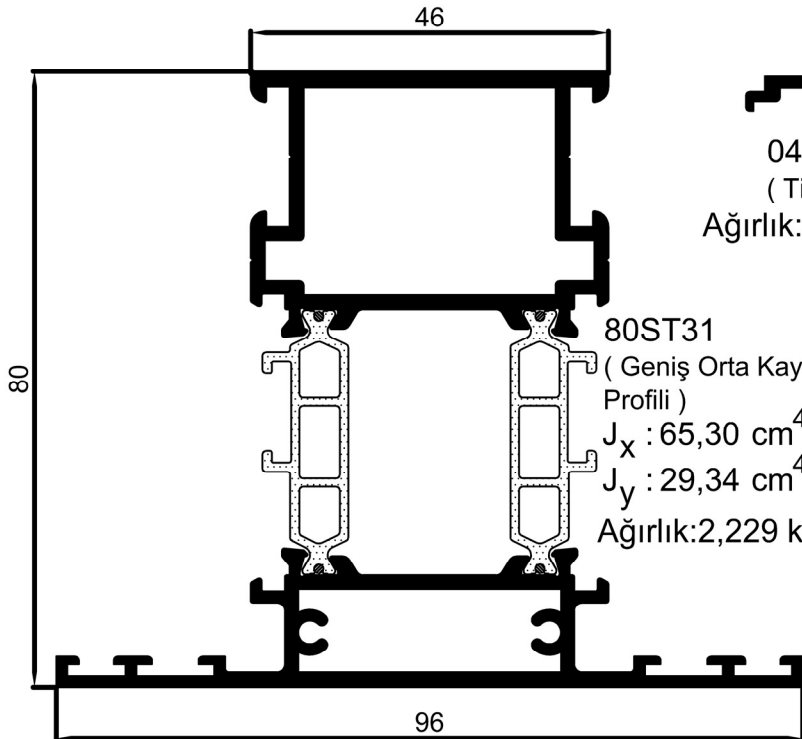


80ST40
Adaptör Profili (Çift Kanat)
 $J_x : 43,55 \text{ cm}^4$
 $J_y : 9,20 \text{ cm}^4$
Ağırlık:1,631 kg/m



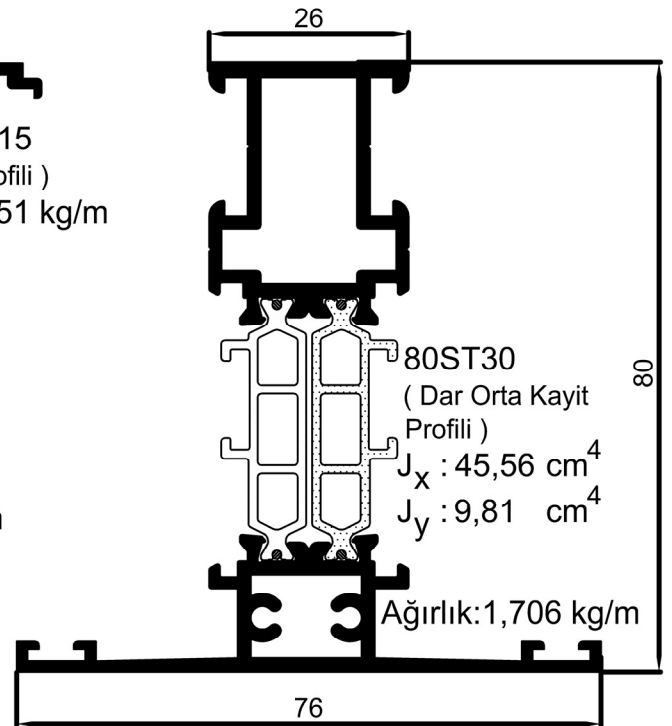
80ST43
Adaptör Profili (Dışa Açılır)
 $J_x : 30,15 \text{ cm}^4$
 $J_y : 7,38 \text{ cm}^4$
Ağırlık:1,427 kg/m

Ölçek/Scale : 1/1



80ST31
(Geniş Orta Kayıt
Profili)
 $J_x : 65,30 \text{ cm}^4$
 $J_y : 29,34 \text{ cm}^4$
Ağırlık:2,229 kg/m

04-2115
(Tij Profili)
Ağırlık:0,051 kg/m

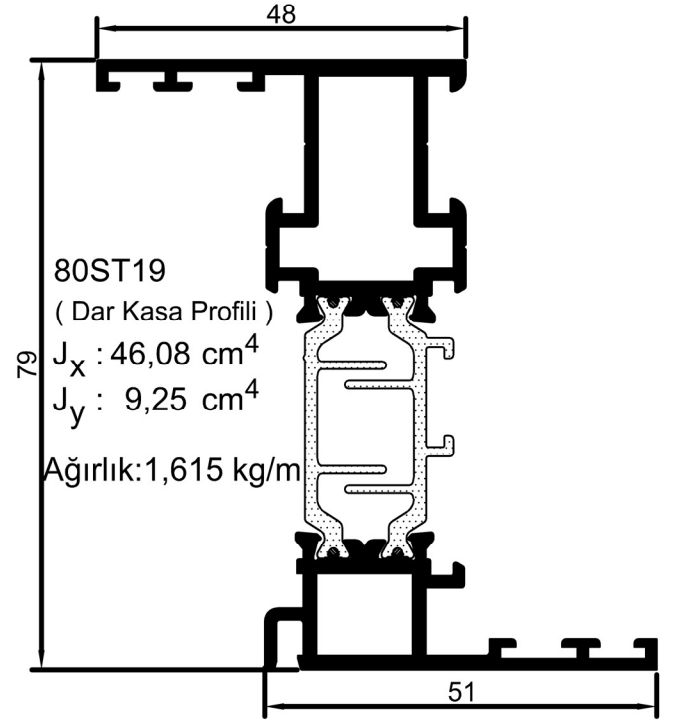
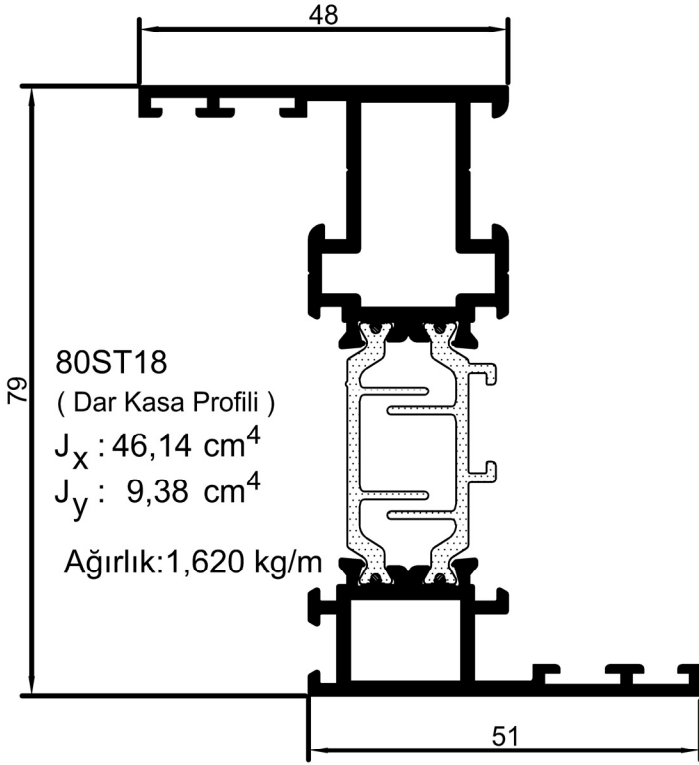


80ST30
(Dar Orta Kayıt
Profili)
 $J_x : 45,56 \text{ cm}^4$
 $J_y : 9,81 \text{ cm}^4$
Ağırlık:1,706 kg/m

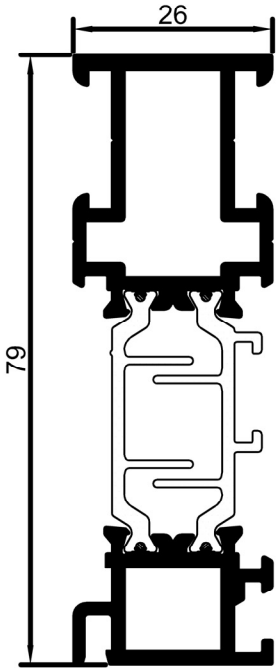
ST 80

Özel Profiller

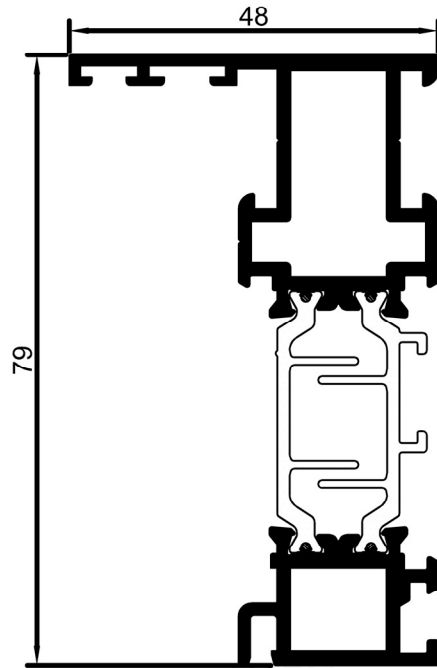
Frame Profiles



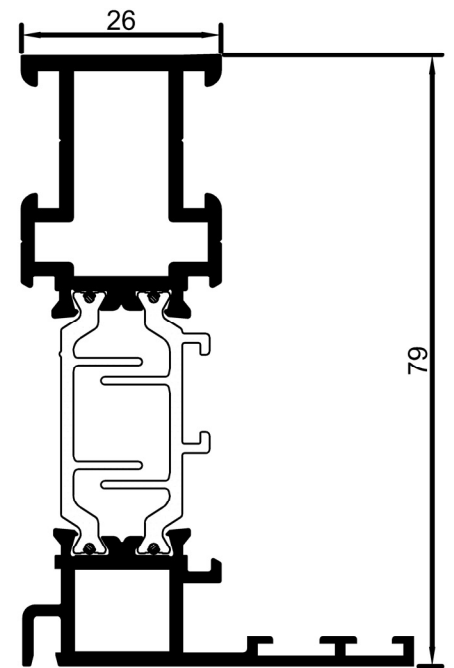
Ölçek/Scale : 1/1



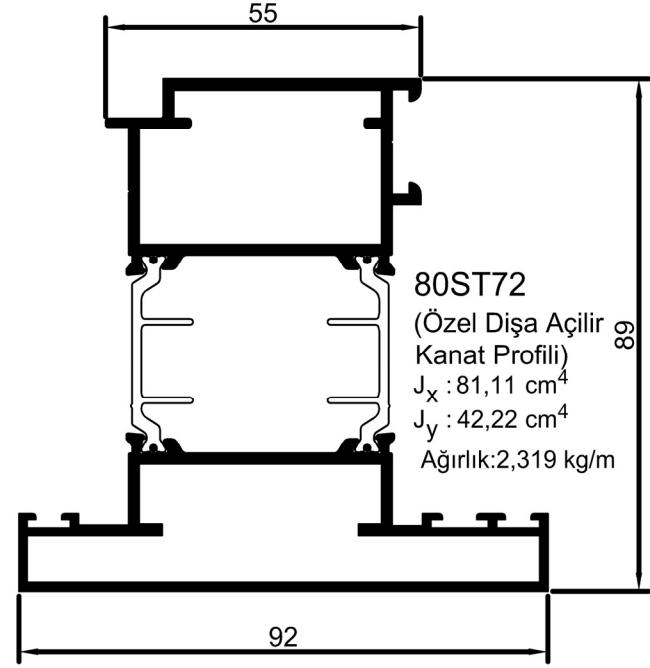
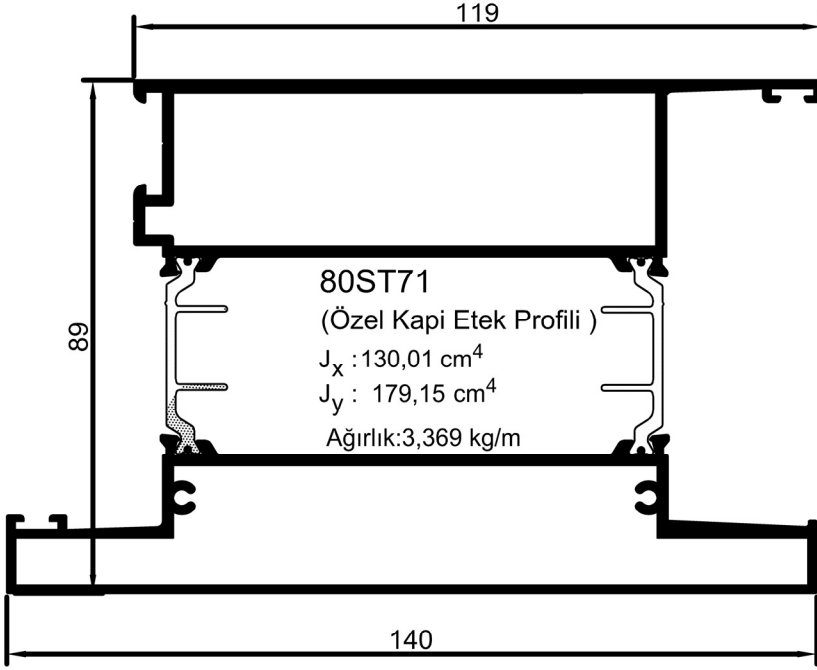
$J_x : 32,33 \text{ cm}^4$
 $J_y : 2,56 \text{ cm}^4$
Ağırlık: 1,366 kg/m



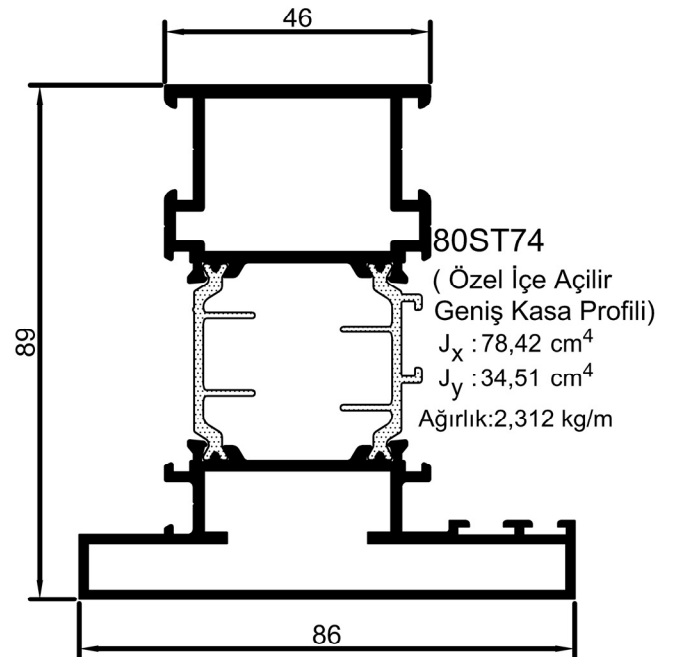
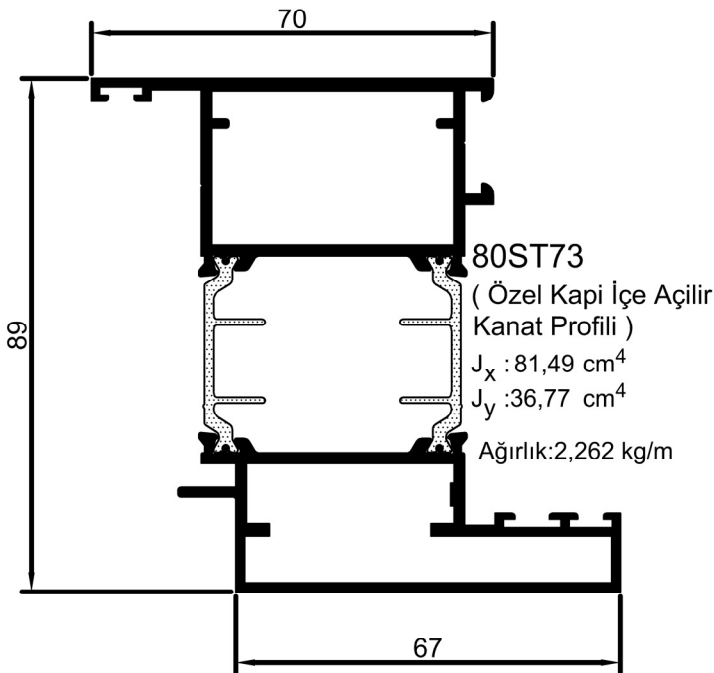
$J_x : 37,89 \text{ cm}^4$
 $J_y : 5,28 \text{ cm}^4$
Ağırlık: 1,486 kg/m



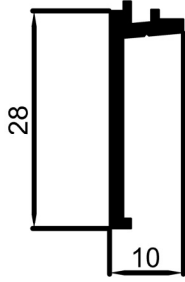
$J_x : 39,39 \text{ cm}^4$
 $J_y : 5,96 \text{ cm}^4$
Ağırlık: 1,495 kg/m



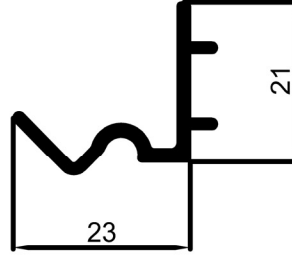
Ölçek/Scale : 3/4



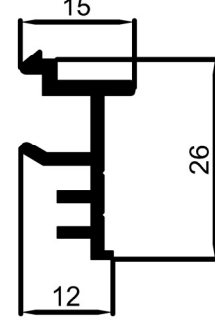
06-2524
(Adaptör-Kanat
Dönüşüm Profili)



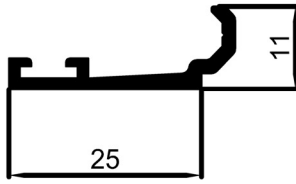
06-2525
(Dönüş Profili-
Mafsal İç)



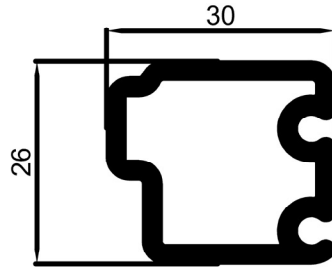
60ST41
(Adaptör-Kasa
Dönüşüm Profili)



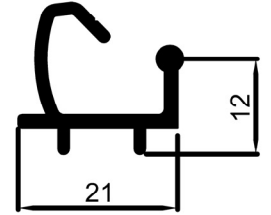
07-2609
(Takviyeli Kayıt Adaptör Profili)



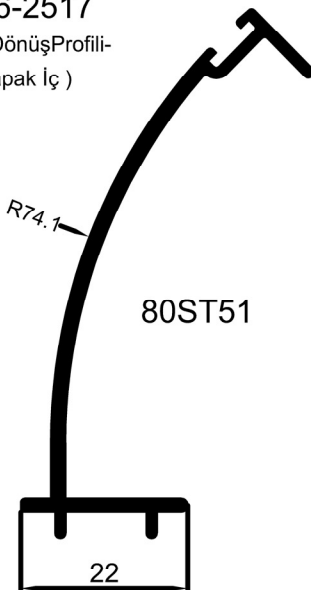
06-2403
(Çektirme Profili)



06-2526
(Dönüş Profili-Mafsal İç)

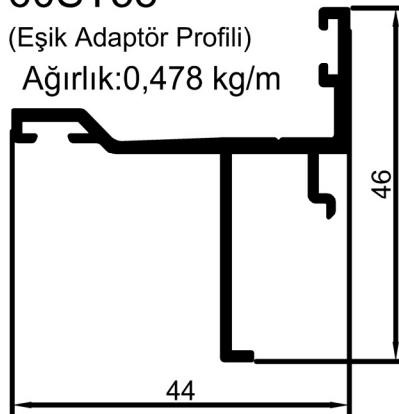


06-2517
(Dönüş Profili-
Kapak İç)

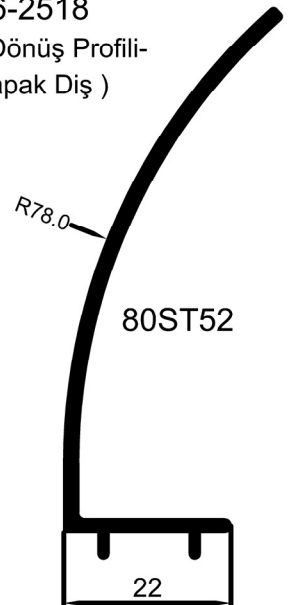


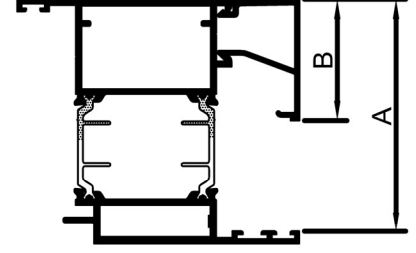
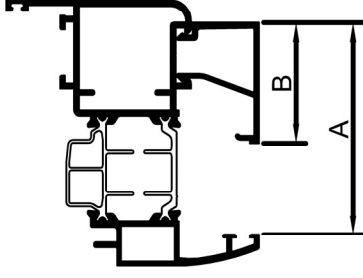
Ölçek/Scale : 1/1

60ST58
(Eşik Adaptör Profili)
Ağırlık:0,478 kg/m



06-2518
(Dönüş Profili-
Kapak Dış)





**İÇE AÇILIR PENCERE & BALKON KAPISI PROFİLLERİ /
INWARD OPENING WINDOW & BALCONY DOOR PROFILES**
(80ST21 - 80ST22 - 80ST25 - 80ST26 - 80ST27 - 80ST28 - 80ST29)

A = 69 mm

Montaj Yüksekliği / Construction Depth

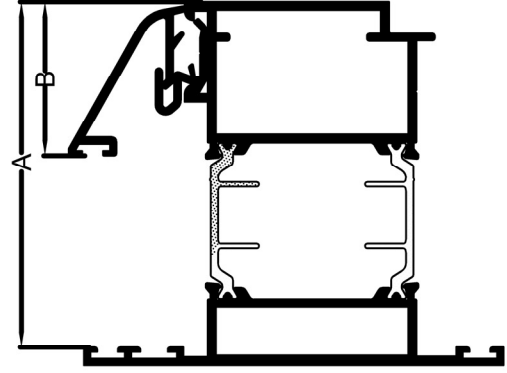
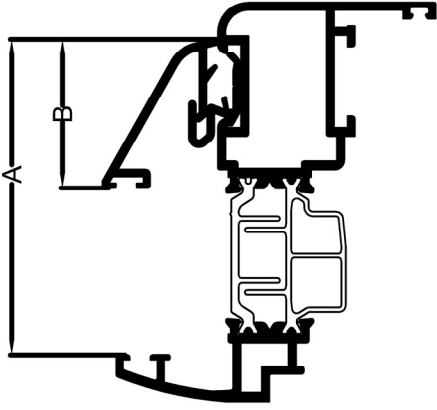
Cam (Glass)	Cam Çıtası (Glazing Bead)	B(mm)	İç Cam Fitili (Internal Glazing Gasket)	Dış Cam Fitili (External Glazing Gasket)
15	3118	45	MN201	ST 802
16	3118	45	40D05	ST 802
17	3118	45	40D03	ST 802
18	3117	42	MN201	ST 802
19	3117	42	40D05	ST 802
20	3117	42	40D03	ST 802
21	3116	39	MN201	ST 802
22	3116	39	40D05	ST 802
23	3116	39	40D03	ST 802
24	3115	36	MN201	ST 802
25	3115	36	40D05	ST 802
26	3115	36	40D03	ST 802
27	3114	33	MN201	ST 802
28	3114	33	40D05	ST 802
29	3114	33	40D03	ST 802
30	3113	30	MN201	ST 802
31	3113	30	40D05	ST 802
32	3113	30	40D03	ST 802
33	3112	27	MN201	ST 802
34	3112	27	40D05	ST 802
35	3112	27	40D03	ST 802
36	3111	24	MN201	ST 802
37	3111	24	40D05	ST 802
38	3111	24	40D03	ST 802
39	3110	21	MN201	ST 802
40	3110	21	40D05	ST 802
41	3110	21	40D03	ST 802
42	3109	18	MN201	ST 802
43	3109	18	40D05	ST 802
44	3109	18	40D03	ST 802
45	3108	15	MN201	ST 802
46	3108	15	40D05	ST 802
47	3108	15	40D03	ST 802
48	2606	12	MN201	ST 802
49	2606	12	40D05	ST 802
50	2606	12	40D03	ST 802
51	3145	9	MN201	ST 802
52	3145	9	40D05	ST 802
53	3145	9	40D03	ST 802
54	3144	6	MN201	ST 802
55	3144	6	40D05	ST 802
56	3144	6	40D03	ST 802

**SABİT & KAPI PROFİLLERİ
/ FIXED & DOOR PROFILES**
(80ST23 - 80ST24)

A = 75 mm

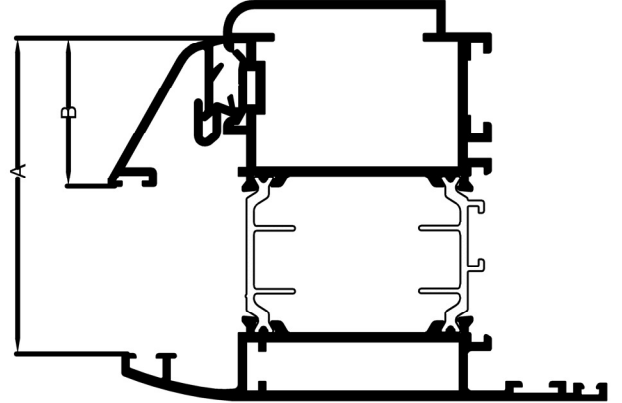
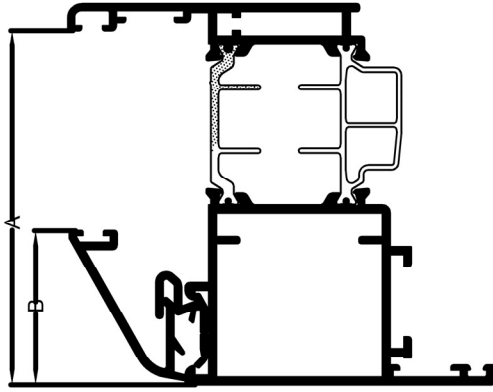
Montaj Yüksekliği / Construction Depth

Cam (Glass)	Cam Çıtası (Glazing Bead)	B(mm)	İç Cam Fitili (Internal Glazing Gasket)	Dış Cam Fitili (External Glazing Gasket)
21	3118	45	MN201	ST 802
22	3118	45	40D05	ST 802
23	3118	45	40D03	ST 802
24	3117	42	MN201	ST 802
25	3117	42	40D05	ST 802
26	3117	42	40D03	ST 802
27	3116	39	MN201	ST 802
28	3116	39	40D05	ST 802
29	3116	39	40D03	ST 802
30	3115	36	MN201	ST 802
31	3115	36	40D05	ST 802
32	3115	36	40D03	ST 802
33	3114	33	MN201	ST 802
34	3114	33	40D05	ST 802
35	3114	33	40D03	ST 802
36	3113	30	MN201	ST 802
37	3113	30	40D05	ST 802
38	3113	30	40D03	ST 802
39	3112	27	MN201	ST 802
40	3112	27	40D05	ST 802
41	3112	27	40D03	ST 802
42	3111	24	MN201	ST 802
43	3111	24	40D05	ST 802
44	3111	24	40D03	ST 802
45	3110	21	MN201	ST 802
46	3110	21	40D05	ST 802
47	3110	21	40D03	ST 802
48	3109	18	MN201	ST 802
49	3109	18	40D05	ST 802
50	3109	18	40D03	ST 802
51	3108	15	MN201	ST 802
52	3108	15	40D05	ST 802
53	3108	15	40D03	ST 802
54	2606	12	MN201	ST 802
55	2606	12	40D05	ST 802
56	2606	12	40D03	ST 802
57	3145	9	MN201	ST 802
58	3145	9	40D05	ST 802
59	3145	9	40D03	ST 802
60	3144	6	MN201	ST 802
61	3144	6	40D05	ST 802
62	3144	6	40D03	ST 802



İÇE AÇILIR PENCERE & BALKON KAPISI PROFİLLERİ / INWARD OPENING WINDOW & BALCONY DOOR PROFILES (80ST21 - 80ST22 - 80ST25 - 80ST26 - 80ST27 - 80ST28 - 80ST29)				
A = 69 mm Montaj Yüksekliği / Construction Depth				
Cam (Glass)	Cam Çıtası (Glazing Bead)	B(mm)	İç Cam Fıtlı (Internal Glazing Gasket)	Dış Cam Fıtlı (External Glazing Gasket)
24	09-3119	36	MN 201	ST 802
25	09-3119	36	40 D 05	ST 802
27	08-2872	33	MN 201	ST 802
28	08-2872	33	40 D 05	ST 802
30	08-2959	30	MN 201	ST 802
31	08-2959	30	40 D 05	ST 802
33	08-2958	27	MN 201	ST 802
34	08-2958	27	40 D 05	ST 802
36	09-2997	24	MN 201	ST 802
37	09-2997	24	40 D 05	ST 802
39	08-2970	21	MN 201	ST 802
40	08-2970	21	40 D 05	ST 802

SABİT & KAPI PROFİLLERİ /FIXED & DOOR PROFILES (80ST23 - 80ST24)				
A = 75 mm Montaj Yüksekliği / Construction Depth				
Cam (Glass)	Cam Çıtası (Glazing Bead)	B(mm)	İç Cam Fıtlı (Internal Glazing Gasket)	Dış Cam Fıtlı (External Glazing Gasket)
24	09-3120	42	MN 201	ST 802
25	09-3120	42	40 D 05	ST 802
30	09-3119	36	MN 201	ST 802
31	09-3119	36	40 D 05	ST 802
33	08-2872	33	MN 201	ST 802
34	08-2872	33	40 D 05	ST 802
36	08-2959	30	MN 201	ST 802
37	08-2959	30	40 D 05	ST 802
39	08-2958	27	MN 201	ST 802
40	08-2958	27	40 D 05	ST 802
42	09-2997	24	MN 201	ST 802
43	09-2997	24	40 D 05	ST 802
45	08-2970	21	MN 201	ST 802
46	08-2970	21	40 D 05	ST 802



DIŞA AÇILIR PENCERE PROFİLLERİ
OUTWARD OPENING WINDOW PROFILES
(80ST61)

A = 75 mm

Montaj Yüksekliği / Construction Depth

Cam (Glass)	Cam Çıtası (Glazing Bead)	B(mm)	İç Cam Fitolü (Internal Glazing Gasket)	Dış Cam Fitolü (External Glazing Gasket)
24	09-3120	42	MN 201	ST 802
25	09-3120	42	40 D 05	ST 802
30	09-3119	36	MN 201	ST 802
31	09-3119	36	40 D 05	ST 802
33	08-2872	33	MN 201	ST 802
35	08-2872	33	40 D 05	ST 802
37	08-2959	30	MN 201	ST 802
38	08-2959	30	40 D 05	ST 802
40	08-2958	27	MN 201	ST 802
41	08-2958	27	40 D 05	ST 802
43	09-2997	24	MN 201	ST 802
44	09-2997	24	40 D 05	ST 802
46	08-2970	21	MN 201	ST 802
47	08-2970	21	40 D 05	ST 802

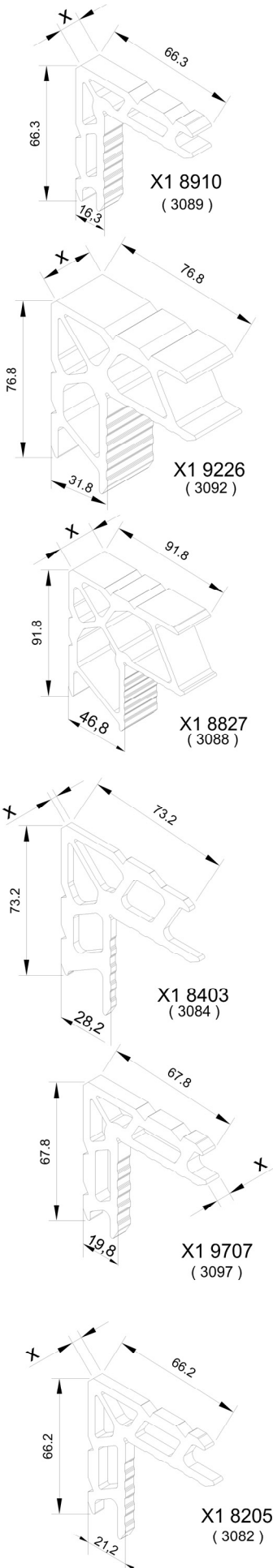
DIŞA AÇILIR BALKON KAPISI PROFİLLERİ
OUTWARD OPENING BALCONY DOOR PROFILES
(80ST26)

A = 69mm

Montaj Yüksekliği / Construction Depth

Cam (Glass)	Cam Çıtası (Glazing Bead)	B(mm)	İç Cam Fitolü (Internal Glazing Gasket)	Dış Cam Fitolü (External Glazing Gasket)
24	09-3119	36	MN 201	ST 802
25	09-3119	36	40 D 05	ST 802
27	08-2872	33	MN 201	ST 802
28	08-2872	33	40 D 05	ST 802
30	08-2959	30	MN 201	ST 802
31	08-2959	30	40 D 05	ST 802
33	08-2958	27	MN 201	ST 802
34	08-2958	27	40 D 05	ST 802
36	09-2997	24	MN 201	ST 802
37	09-2997	24	40 D 05	ST 802
39	08-2970	21	MN 201	ST 802
40	08-2970	21	40 D 05	ST 802

ST 80



Köşe Takoz No Corner Cleat No	Sembol Symbol	Profil No Profile Code	x-Kesim Ölçüleri (mm) x-Cutting Dimensions
3093		80ST25	5
3096		80ST10 80ST30 80ST83	26.5
3082		80ST61	5
3091		80ST10 80ST83	10.5
3089		80ST43	2 Adet - 20
3092		80ST25 80ST21 80ST11	32.5 10.5 10.5
3098		80ST11 80ST31 80ST32	26.5
3088		80ST13 80ST21	10 27
3094		80ST22	27
3087		80ST12 80ST22 80ST23	10.5
3097		80ST12 80ST13 80ST14	20 26 27
3084		80ST61 80ST24 80ST26	28 10
		80ST23 80ST24 80ST62	20
		80ST26	27
		80ST43	7
		80ST62 80ST49	6 26,5

Köşe Takoz No Corner Cleat No	Sembol Symbol	Profil No Profile Code	x-Kesim Ölçüleri (mm) x-Cutting Dimensions
06-2403		80ST30 80ST31 80ST32 80ST33	12 32 47 83

